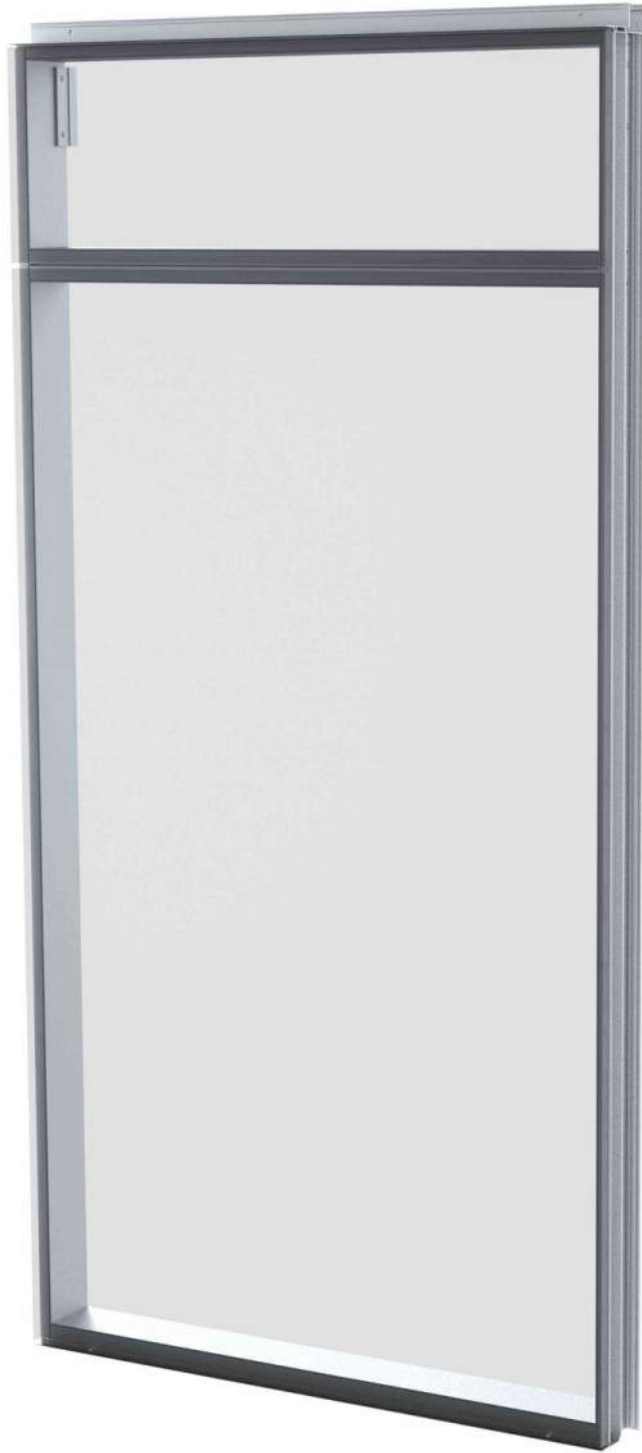


INSTALLATION MANUAL

UN8030 Curtain Wall System



Facades USA
930 Cass St, New Castle, PA 16101
412-820-2200
www.FacadesUSA.com

© 2024, Facades USA

Facades USA reserves the right to change configuration without prior notice when deemed necessary for product improvement.

Laws and building and safety codes governing the design and use of Facades USA products vary widely. Facades USA does not control the selection of product configurations, materials, or hardware and assumes no responsibility therefore.

INSTALLATION MANUAL

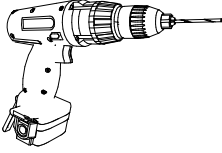

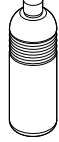
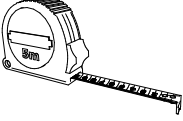

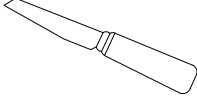
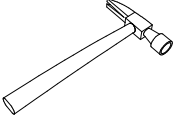
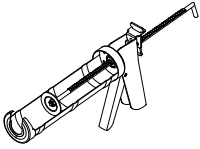
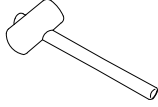
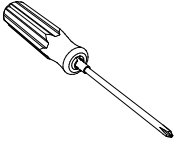

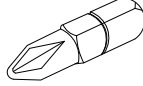
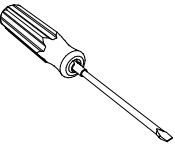
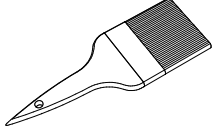
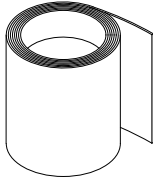
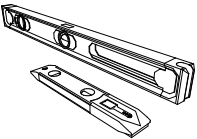
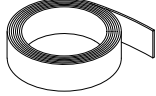
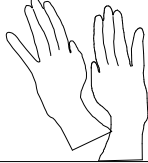
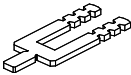
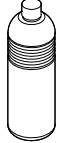
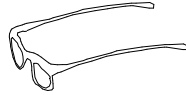
UN8030 Curtain Wall System



Table of Contents

1	Cover
2	Table of Contents
3	Tools and Supplies
4	STEP 1 - Inspection and verification
6	STEP 2 - Setting out
8	STEP 3 - Verification of end dams
10	STEP 4 - Installation of starters
18	STEP 5 - Inspection of anchors
19	STEP 6 - Units manipulation
20	STEP 7 - Lifting bracket installation
21	STEP 8 - Starter preparation
23	STEP 9 - Units installation
31	STEP 10 - Upper units installation
32	STEP 11 - Perimeter seal

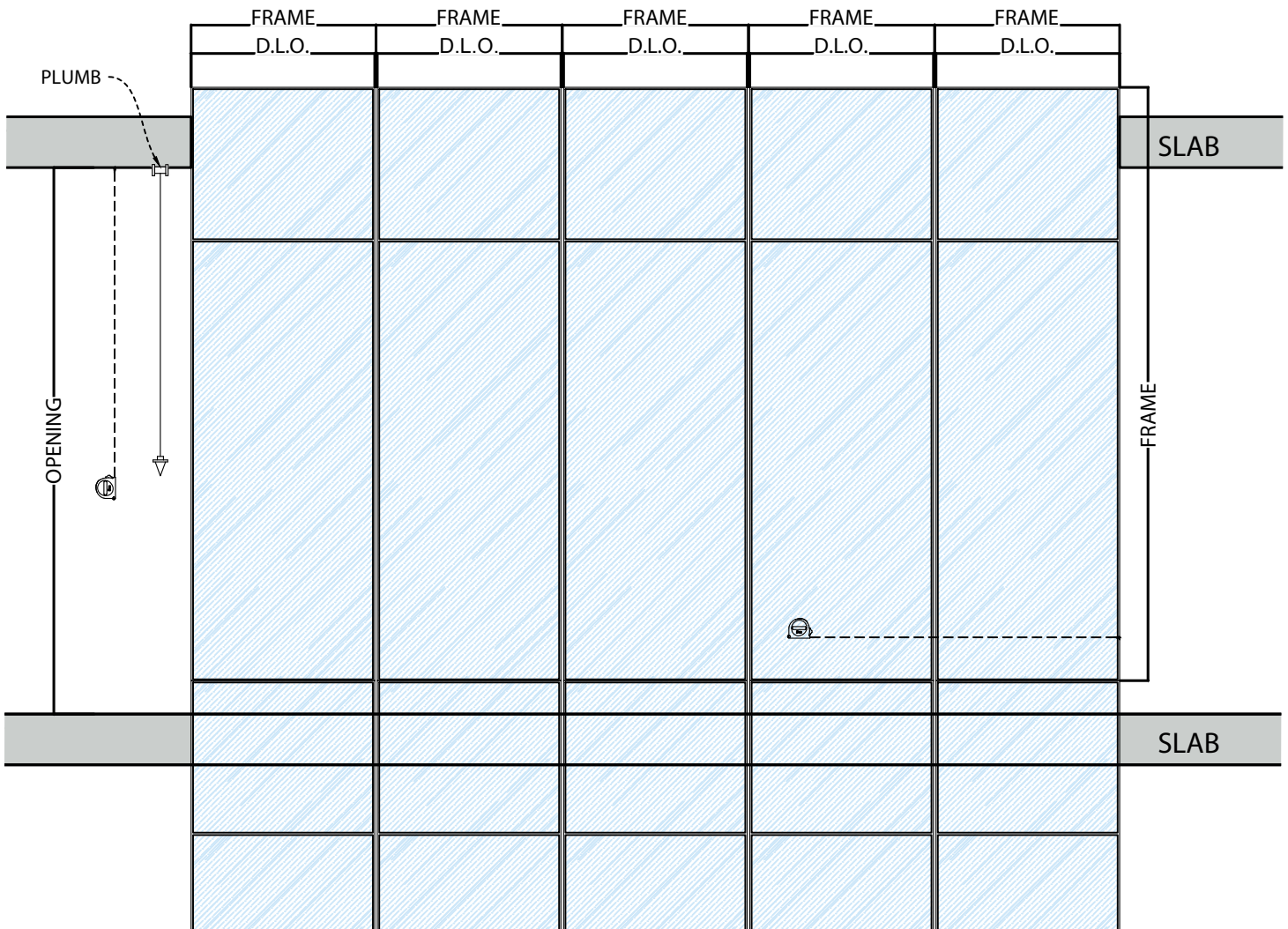
TOOLS AND SUPPLIES FOR INSTALLATION

Detail	Description	Detail	Description	Detail	Description
	Drill		Plumb		Thinner
	Measure tape		Thread		Knife
	Hammer		Industrial Silicone gun		Mallet
	Phillips screwdriver		Bits for concrete		Point
	Slot screwdriver		Brush		Clean rag
	Level		Masking tape		Safety gloves
	Plastic shims		Isopropyl alcohol		Safety glasses

STEP 1

INSPECTION AND VERIFICATION:

- 1.1 The rough opening should be checked for the correct size as determined by dimensions listed in the architectural specifications and the shop drawings. Measure rough opening in several places to determine variations.
- 1.2 Check all the material upon arrival for quantity and damage.
- 1.3 Remove any debris that interferes with the proper installation of the unit.
- 1.4 If you have any irregularities notify Bunting.



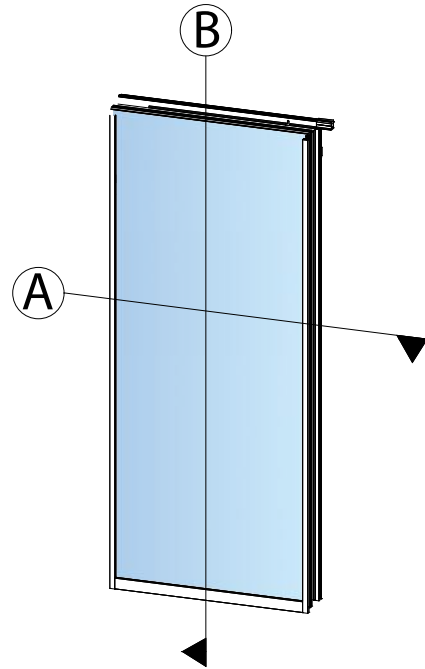
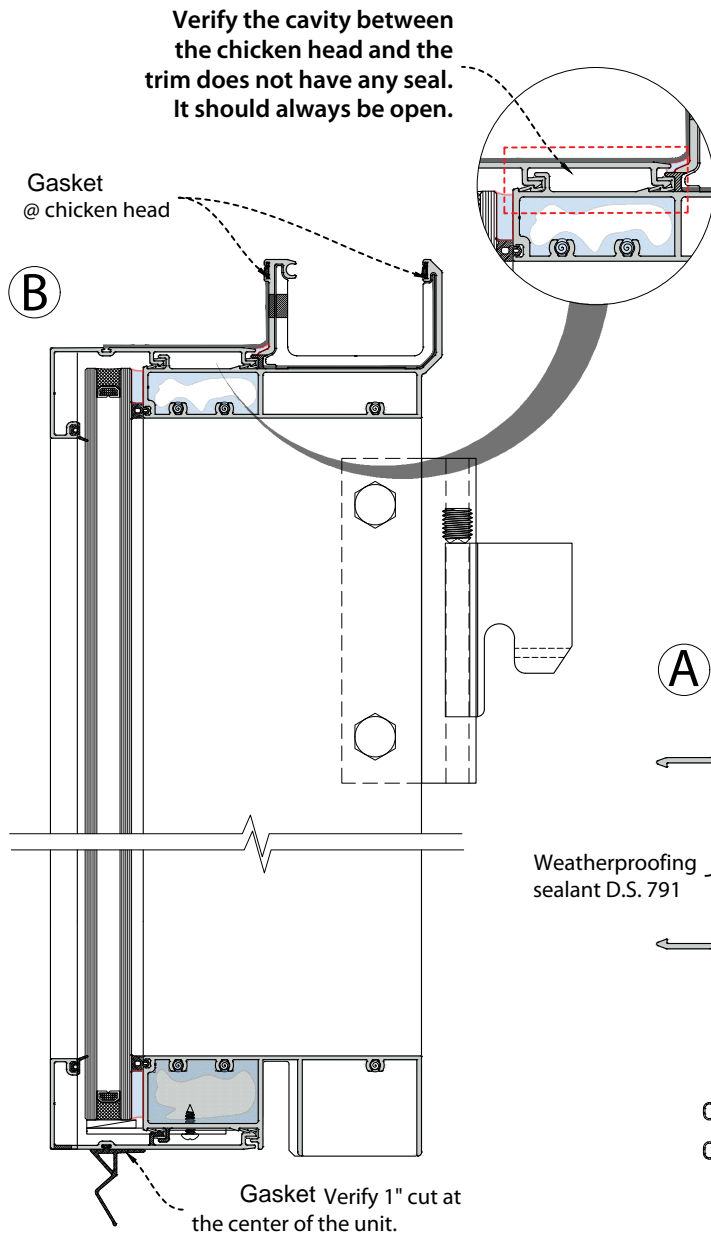
INSTALLATION MANUAL

UN8030 Curtain Wall System

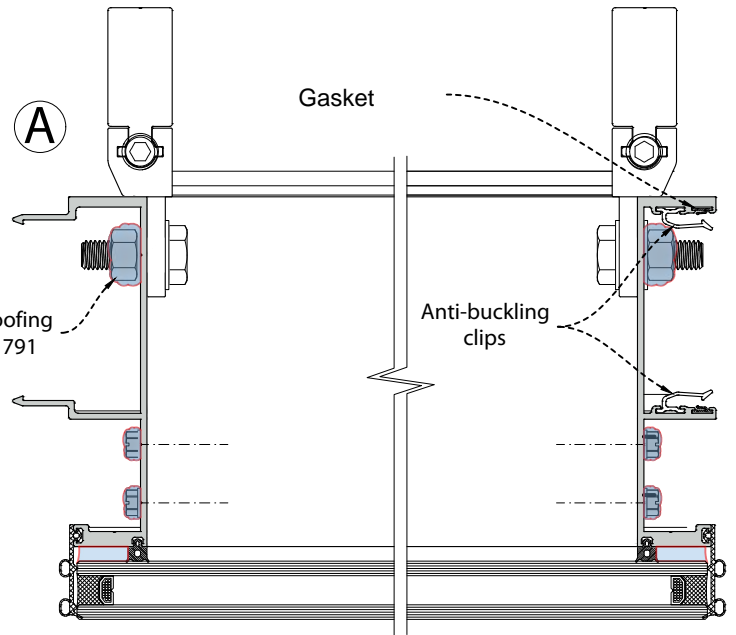


INSPECT UNITS:

- 1.5. Before the installation inspect each unit for any damage. Check that all the gaskets and accessories are in the place as per details.
- 1.6. Check that all the sealing have been made as per details.
- 1.7. Check that the installation machines can support the units weight.



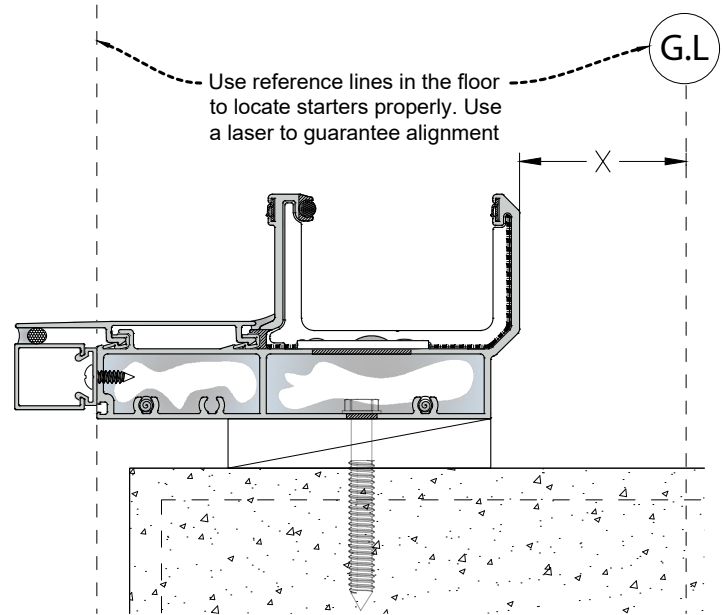
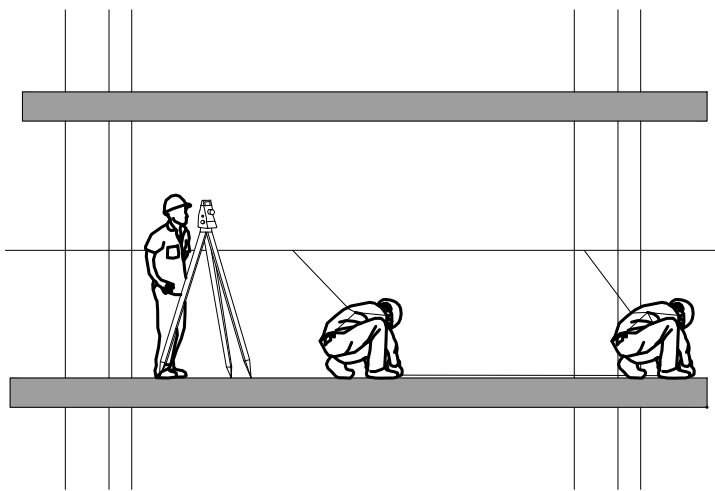
Gaskets reference vary depending on units configuration. Each unit must have gaskets installed as shown in detail.



STEP 2

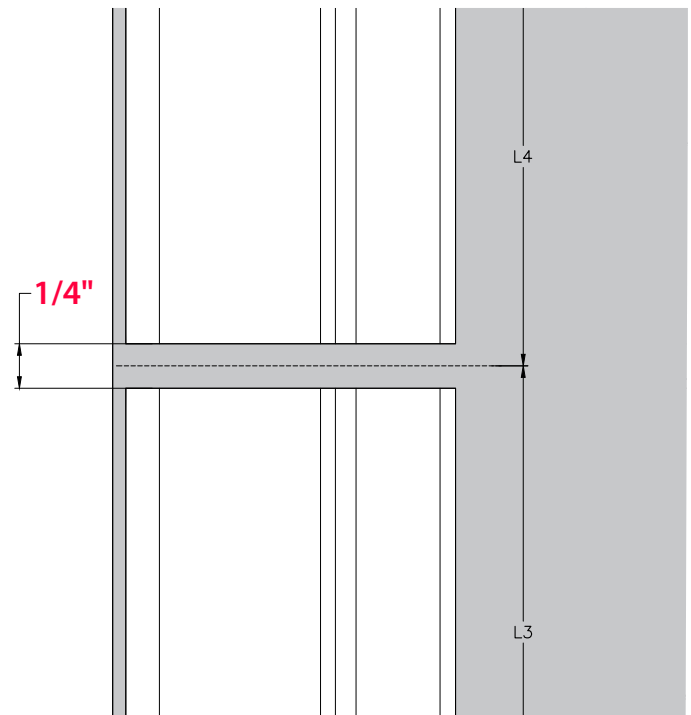
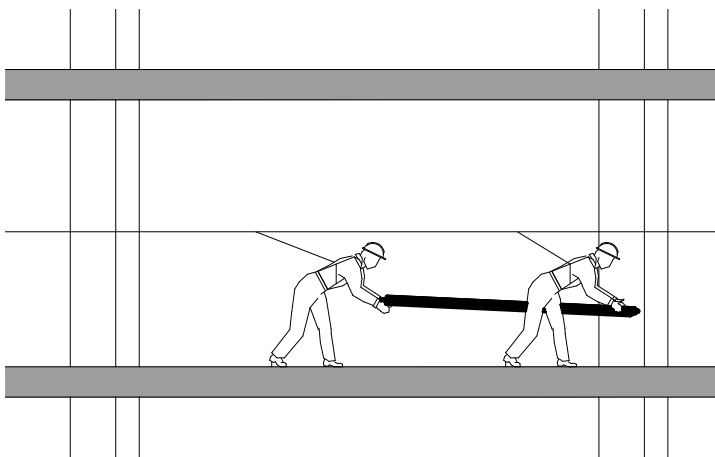
SETTING OUT:

2.1. Facades installation must be preceded by the required starters and anchors setting out. This phase must be followed by a surveyor in order to install the profiles in the right position and with the agreed tolerances referring to the grid lines of the building.

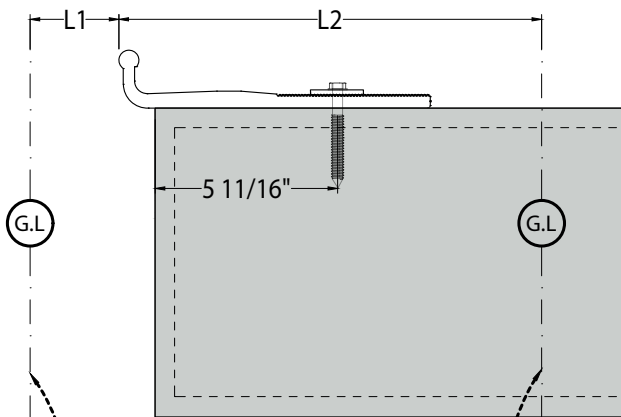
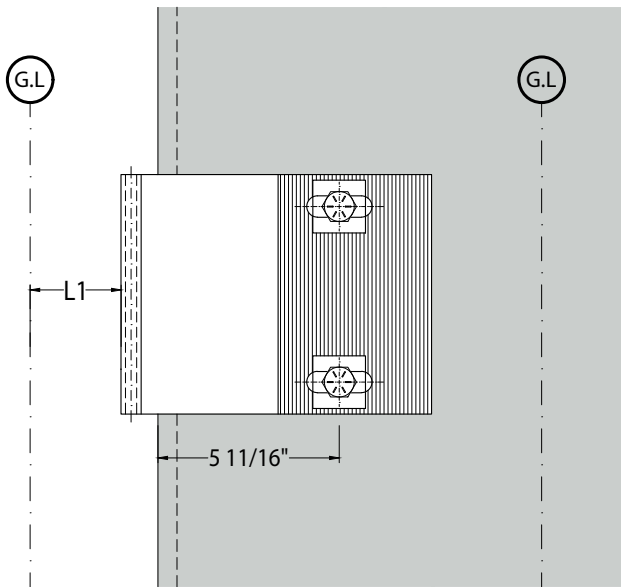


CRITICAL: Spacing distance between receptors must be of 1/4", as shown in detail below.

2.2. After the setting out, the starters can be fixed on the slab with anchor bolts or anchor screws.

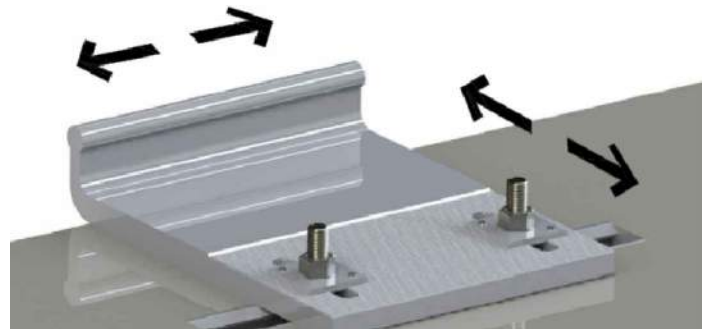


2.3. Anchors setting out: Use reference lines in the slab and the building to locate anchors properly, make sure to use grid lines and working points referred on the project drawings to guarantee the alignment of anchors and units.



Use reference lines in the floor to locate starters properly. Use a laser to guarantee alignment

✓ Adjust the position and fix the brackets and the starter with the right tightening torque using a wrench.



Verify shop drawings for other anchor types.

STEP 3

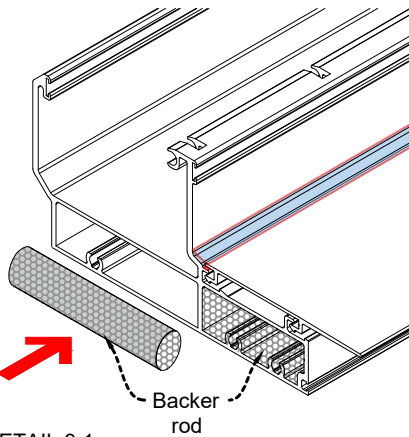
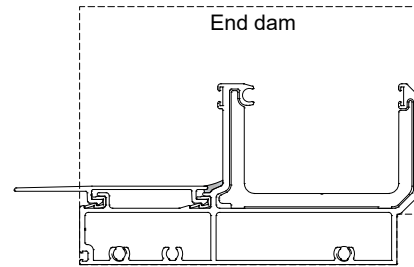
VERIFICATION OF END DAMS:

End dams are usually factory assembled, damage due to transportation could require installation of end dams on site. If required proceed with the installation:

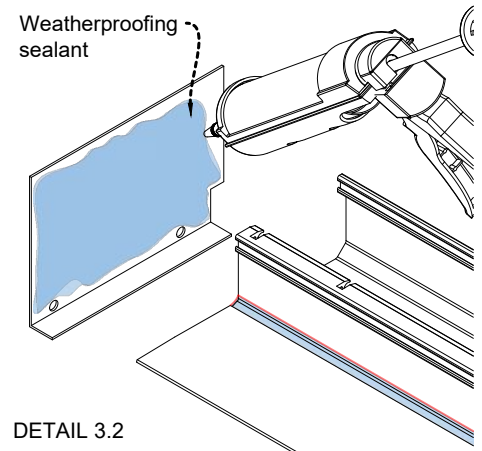


Prepare silicone contact surfaces at verticals and horizontals by cleaning the area with isopropyl alcohol and the "two rag method".

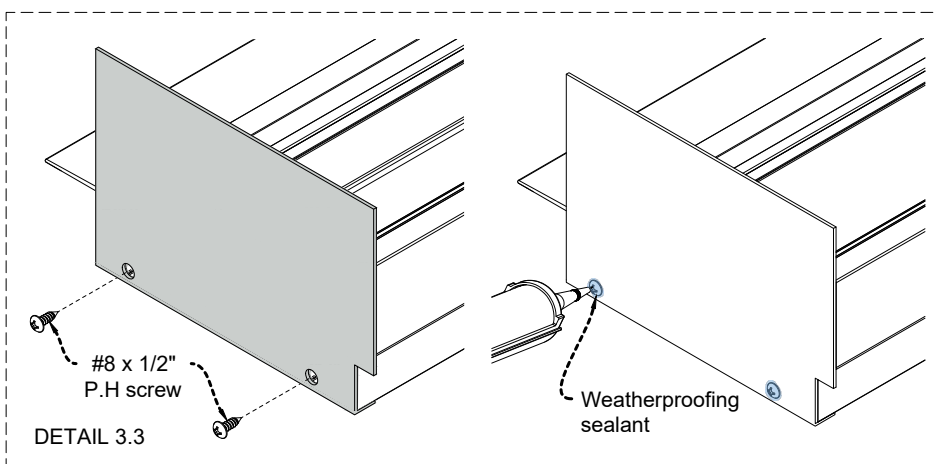
- 3.1. If the seal at the ends of the starter is missing proceed to insert and open cell backer rod section on each cavity and fill with weatherproofing sealant.
- 3.2. Apply weatherproofing sealant to end dam and starter surfaces to be in contact.
- 3.3. Attach end dam with #8 x 1/2" F.H screws as shown in detail.
- 3.4. Caulk joints between starter and the end dam. Seal screw holes.



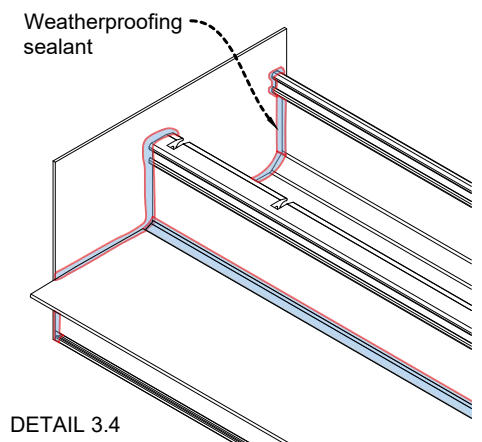
DETAIL 3.1



DETAIL 3.2

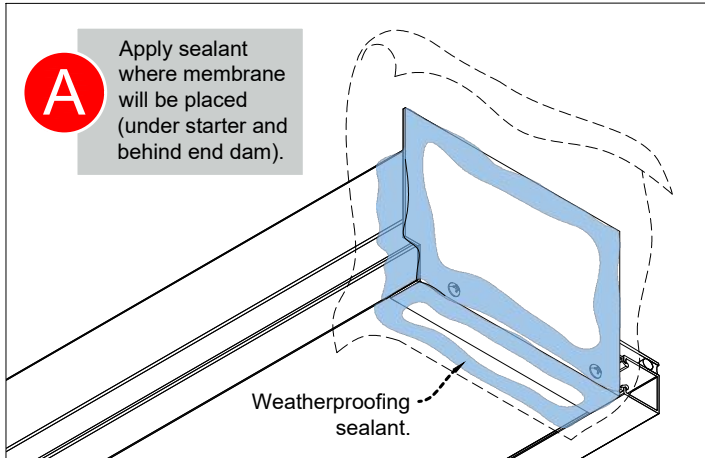


DETAIL 3.3

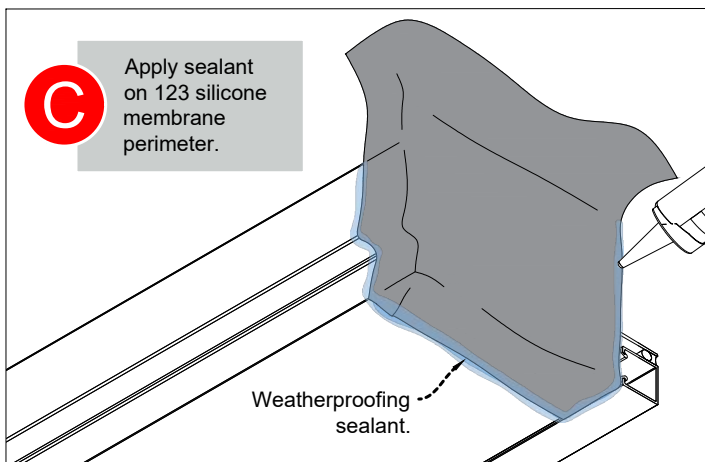
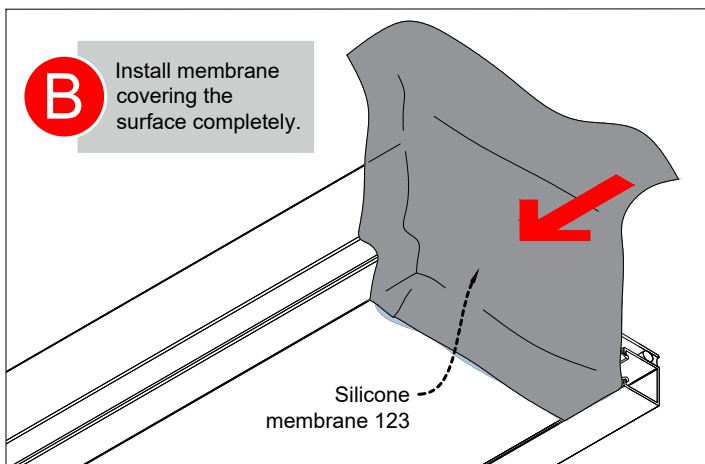
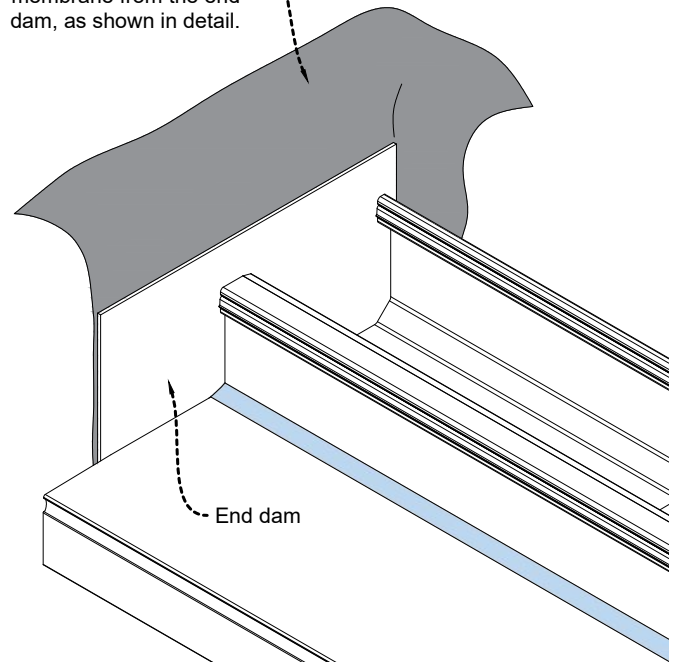


DETAIL 3.4

- 3.5. For configurations that require a 123 silicone membrane at starters behind end dams (for further explanation see STEP 8, page 22) before installing the starter, apply required weatherproofing sealant under starter (2" from the border) and on end dam, and install the 123 silicone membrane. Make sure to leave approx. 4" of membrane free from the end dam, as shown in detail below.



Make sure to leave 4" approx. of 123 silicone membrane free from the end dam, as shown in detail.



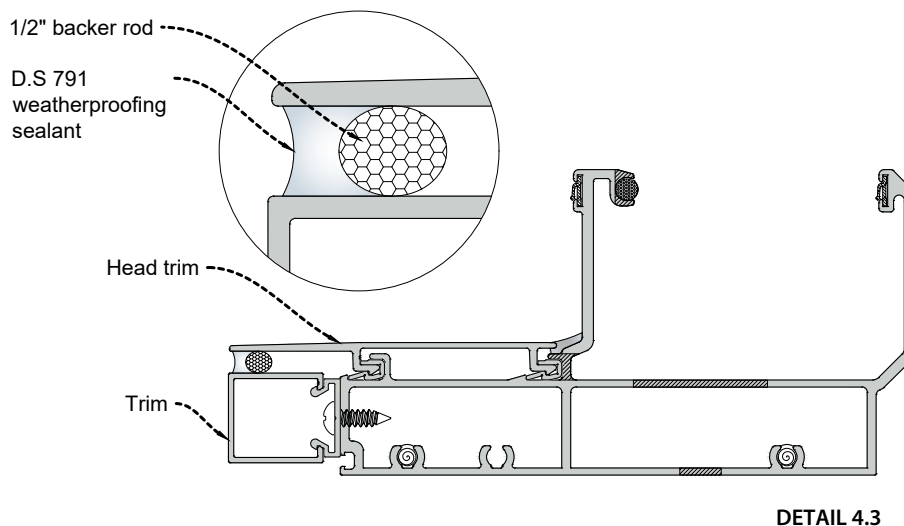
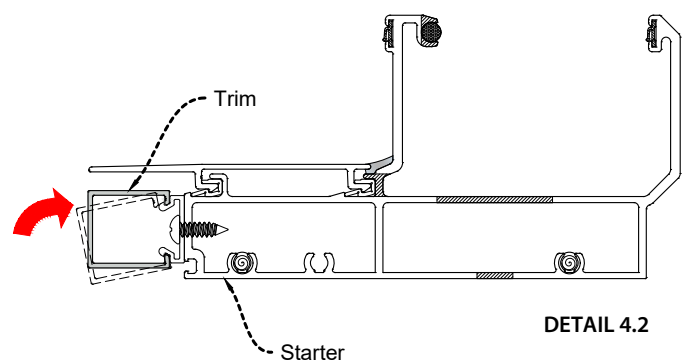
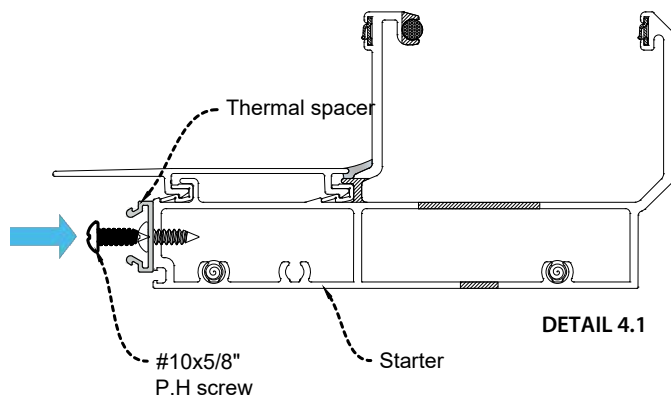
STEP 4

INSTALLATION OF STARTERS:

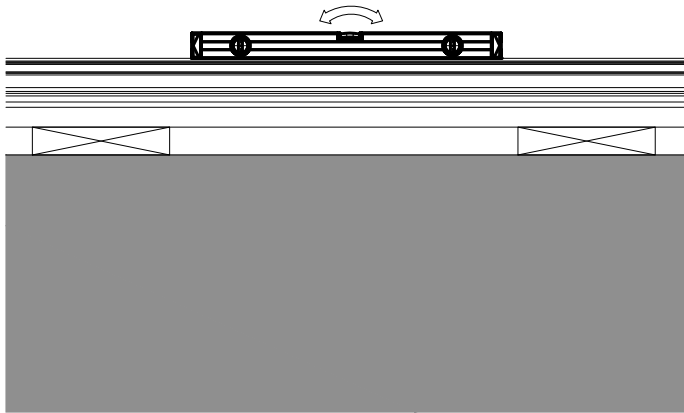
TRIM INSTALLATION (SSG CONFIGURATION):

Starter trims are factory assembled, if not, proceed with following steps:

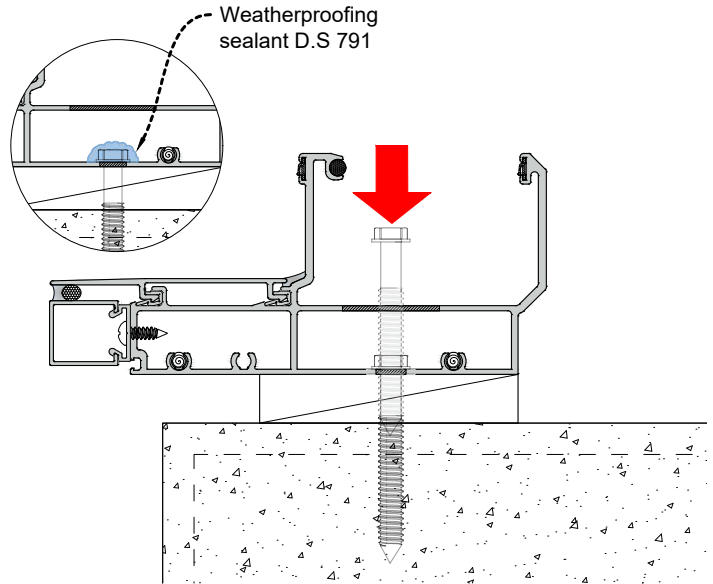
- 4.1. Install Thermal spacer with #10x5/8" P.H tapping screws, as shown in detail 4.1.
- 4.2. Snap trim as shown in detail 4.2.
- 4.3. Install 1/2" backer rod and apply D.S 791 weatherproofing sealant between trims as shown in detail 4.3.



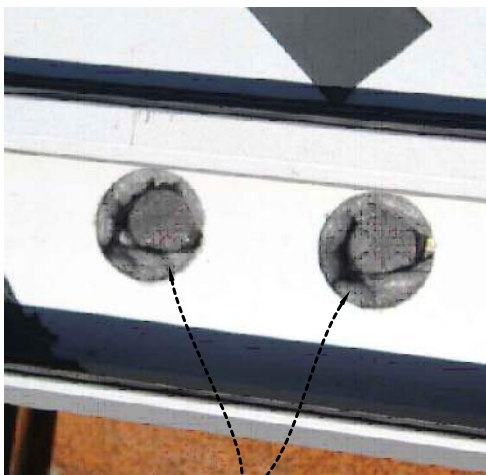
4.4. Verify detail drawings to locate starter and level with HDP shims.



4.5. Verify the correct leveling of starter. Fix with required anchor screw and apply D.S 791 or equal sealant over screw heads.



4.6. Insert backer rods and apply D.S 791 (or equal) weatherproofing sealant onto access holes, as shown in detail below.



Backer rods

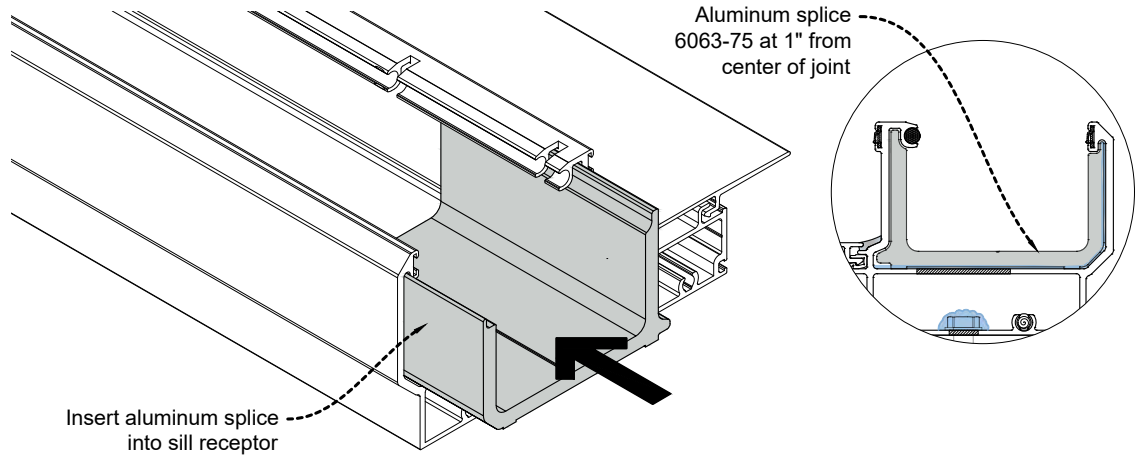


Weatherproofing sealant D.S 791

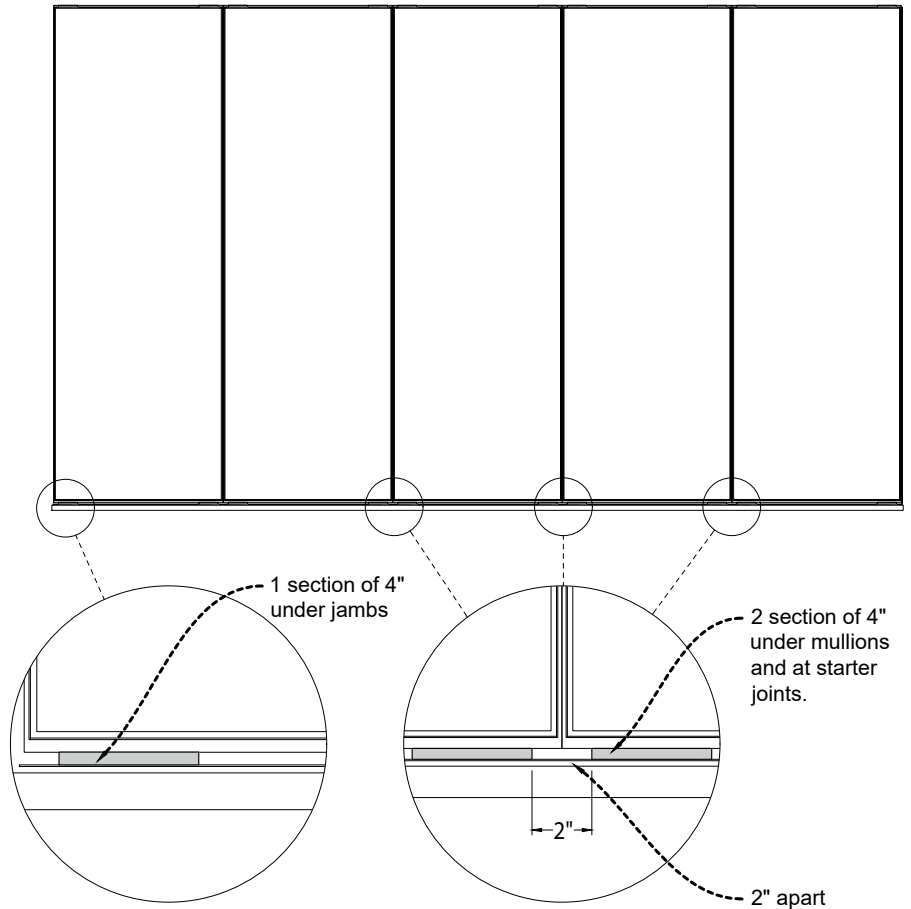
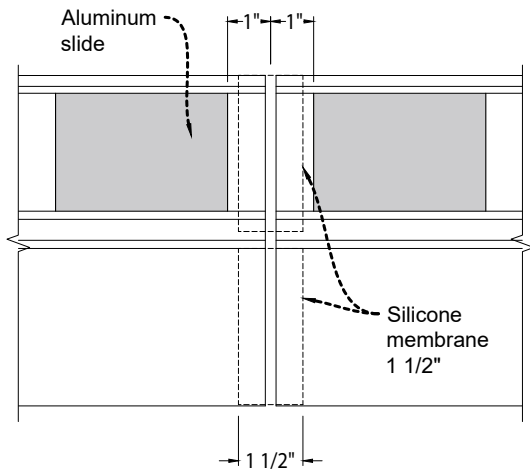


Tool sealant on access holes

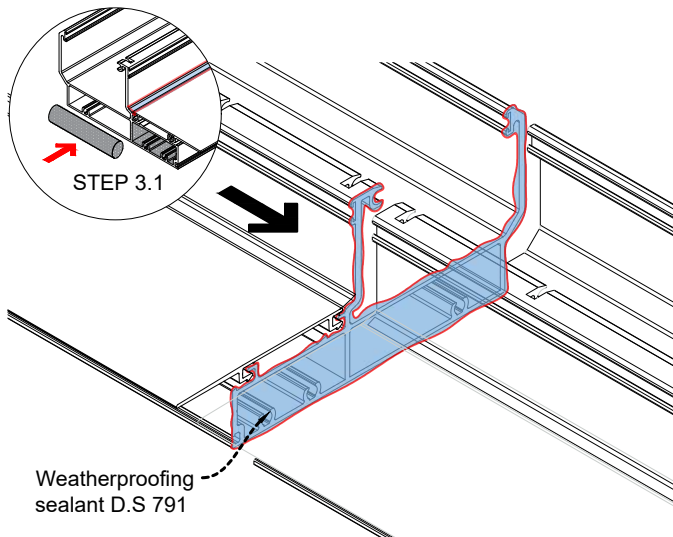
4.7. Make sure to install aluminum splice prior to installation of second starter sections.



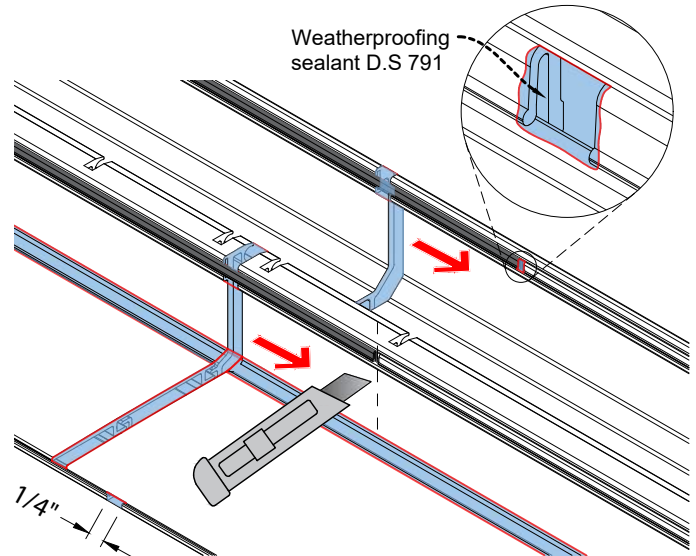
ALUMINUM SLIDE DISTRIBUTION FOR STARTERS



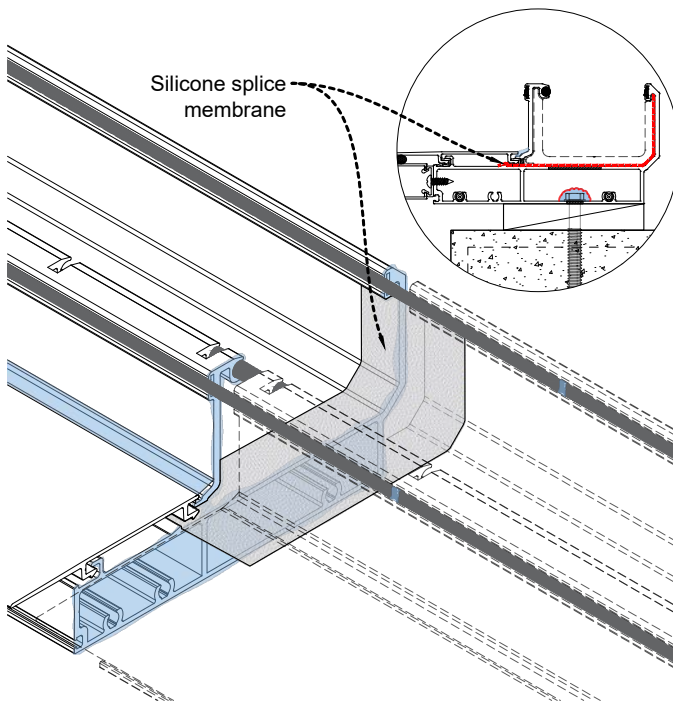
4.8. Repeat step 3.1 if required. Apply weatherproofing sealant onto starter surface as shown in detail below. Place second starter section leaving a gap of 1/4" between starters. Tool sealant into joints.



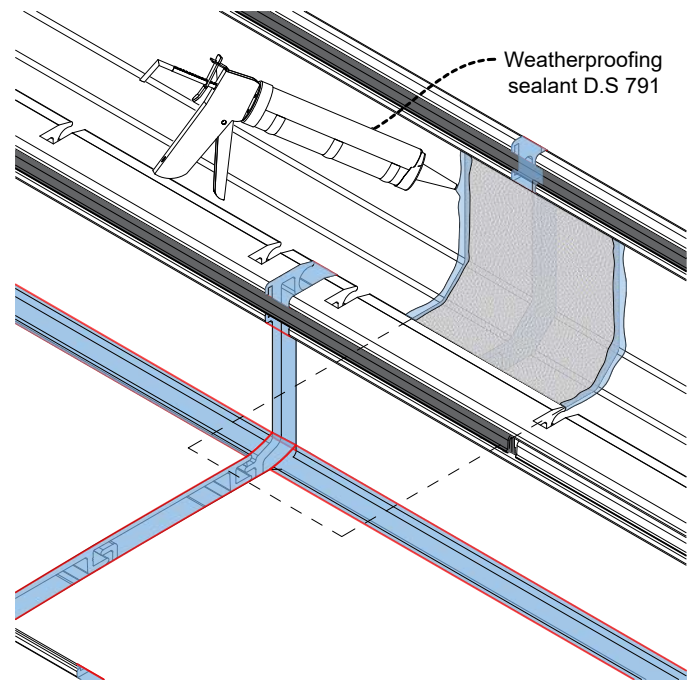
4.9. Air seal gasket must be longer than starters, cut (aprox. 3") one gasket of the two starter sections. Insert exceeding gasket into the adjacent starter section and apply sealant to the joint.



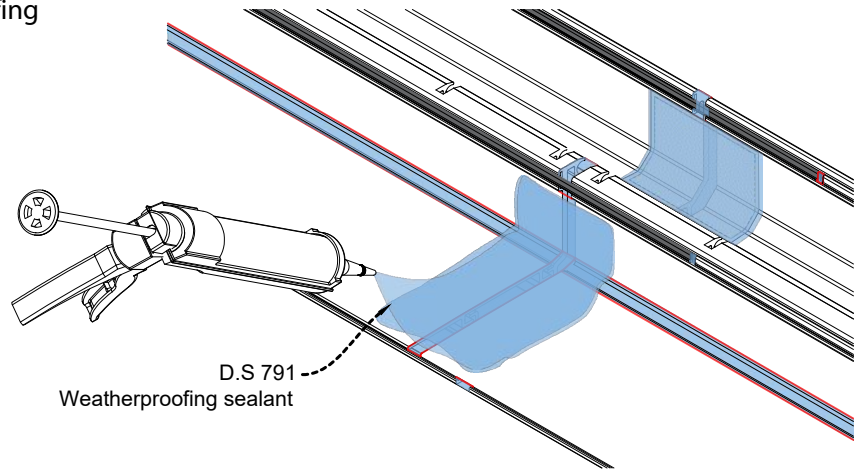
4.10. Apply weatherproofing sealant between starter sections where splice membrane will be placed. Install 1 1/2" silicone splice membrane as shown in detail below.



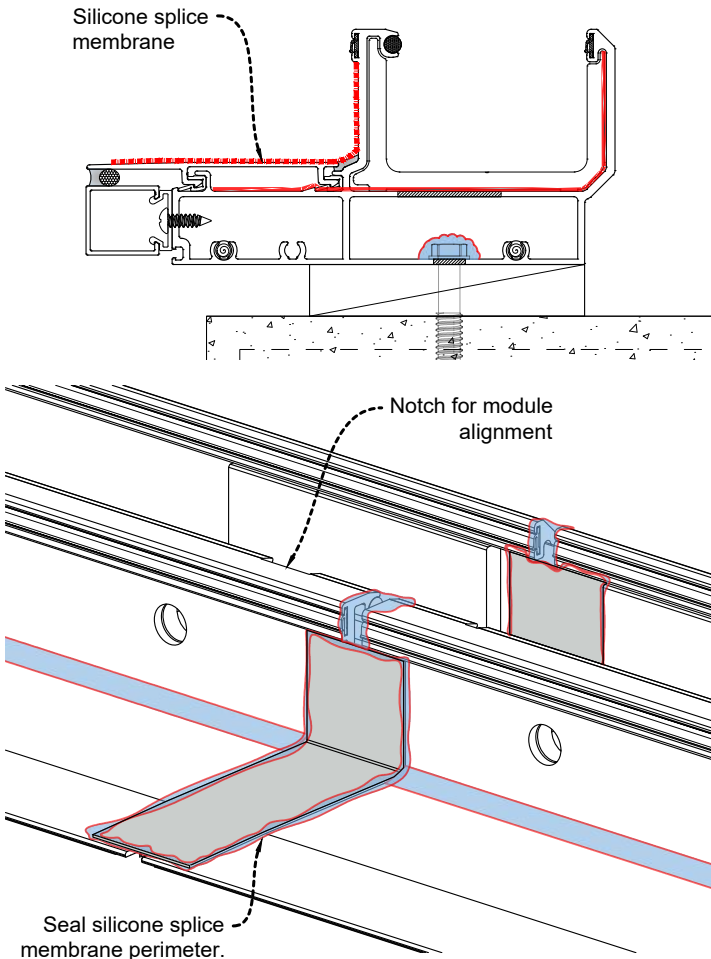
4.11. Apply sealant between starter sections. and on top of silicone splice membrane as shown in detail below.



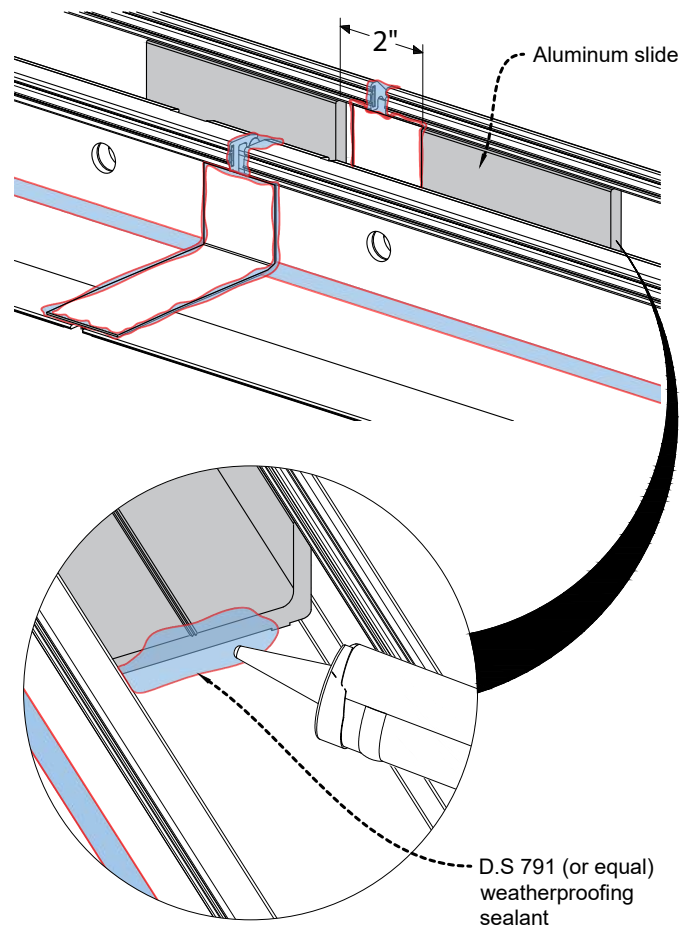
4.12. Apply a generous amount of weatherproofing sealant on top of starter sections.



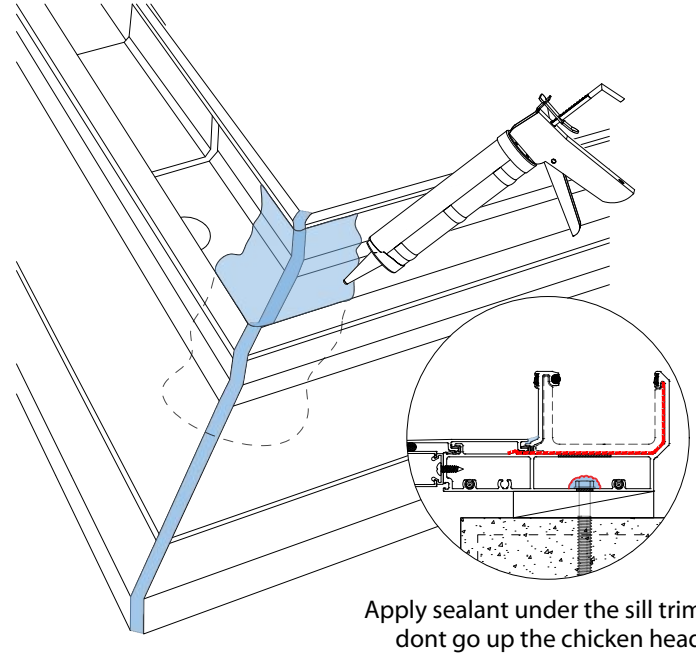
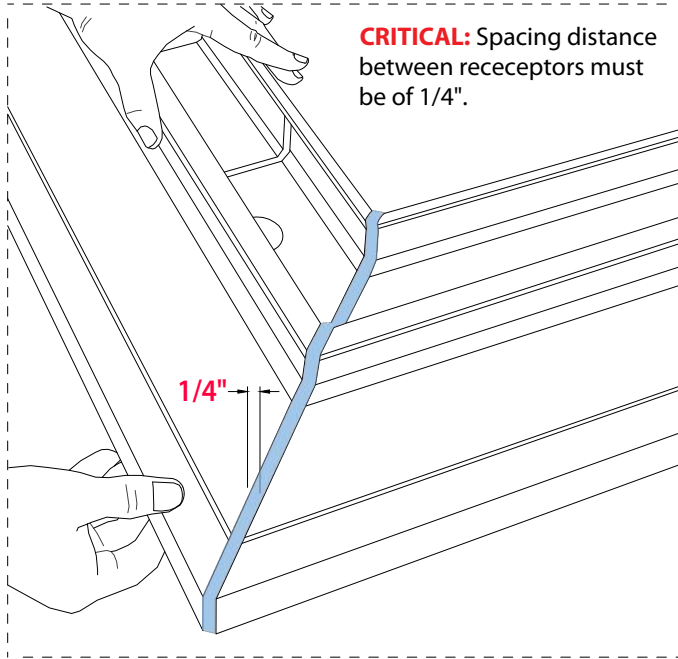
4.13. Place silicone splice membrane on top of starter sections. Seal silicone splice membrane perimeter.



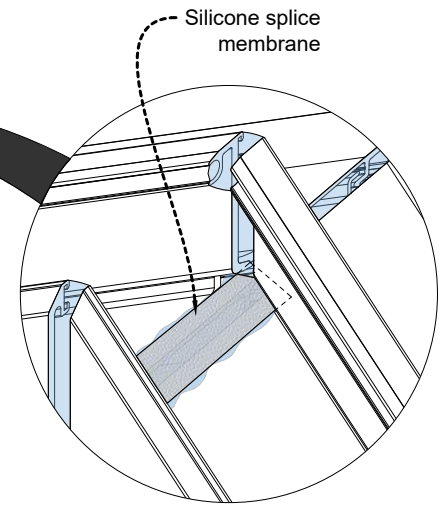
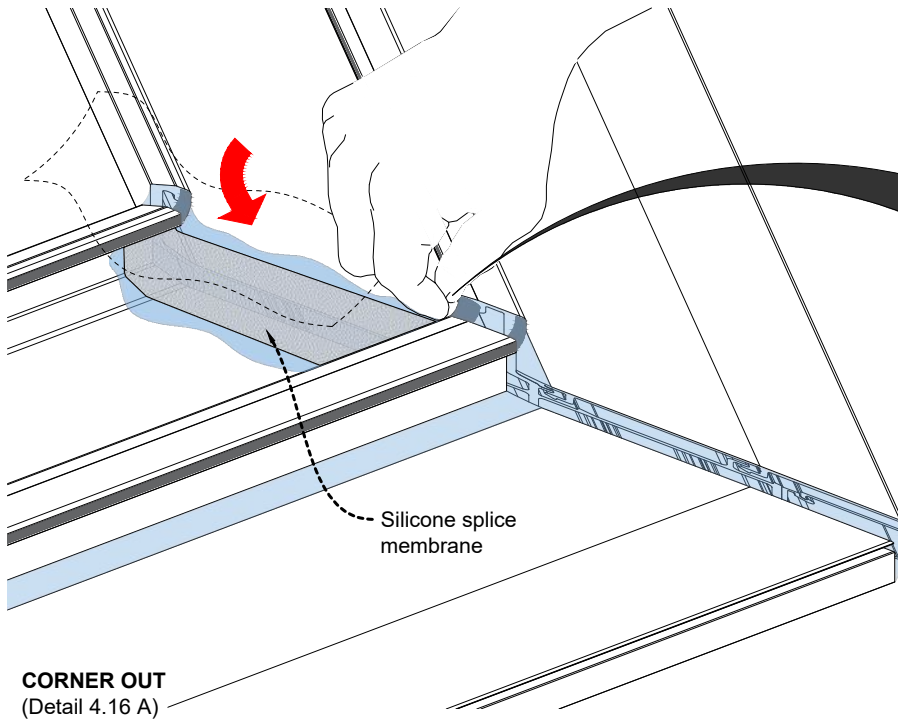
4.14. Relocate aluminum slides at 1" from the center of the joint, as shown in detail 4.7 (page 13). Once the splices are located apply weatherproofing sealant on the ends to fix them, as shown in details below.



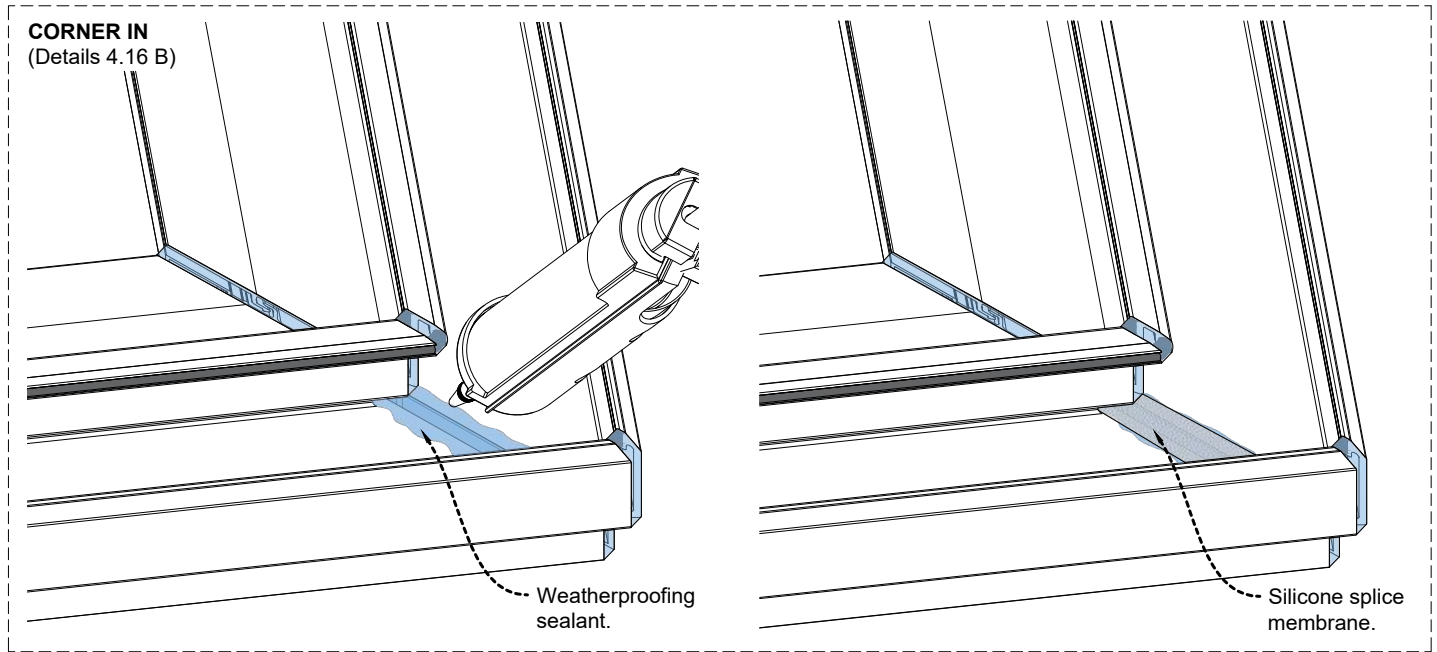
4.15. For configurations with corners, apply a generous amount of weatherproofing sealant on top starter sections, as shown in detail below.



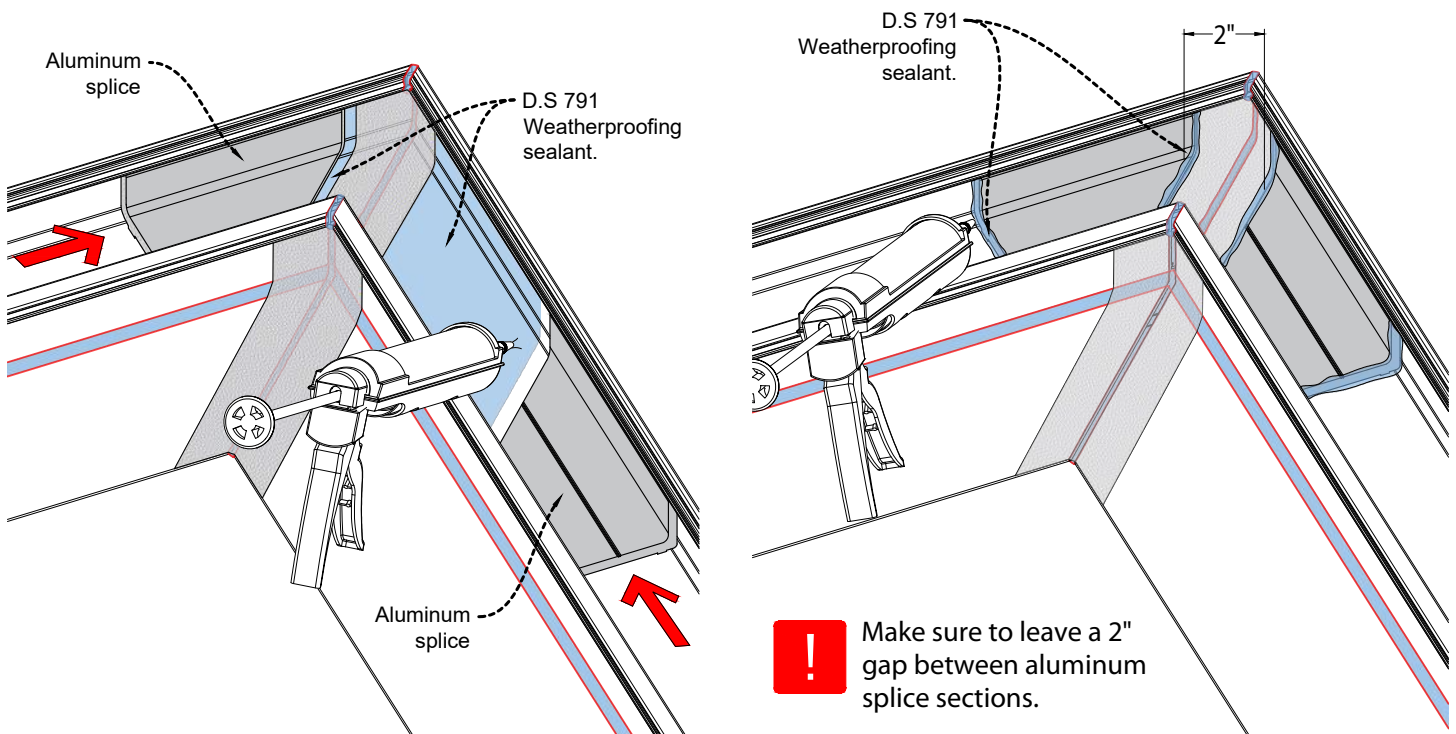
4.16. Place silicone splice membrane on top of starter sections. Seal silicone splice membrane perimeter. Repeat process for both corner OUT (detail 4.16 A) and corner IN (detail 4.16 B) configurations.



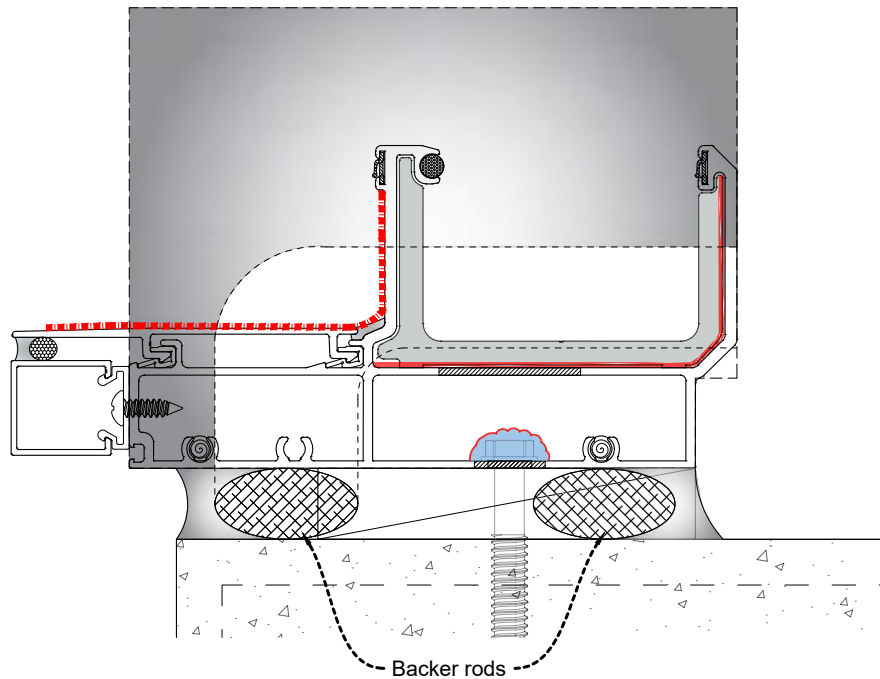
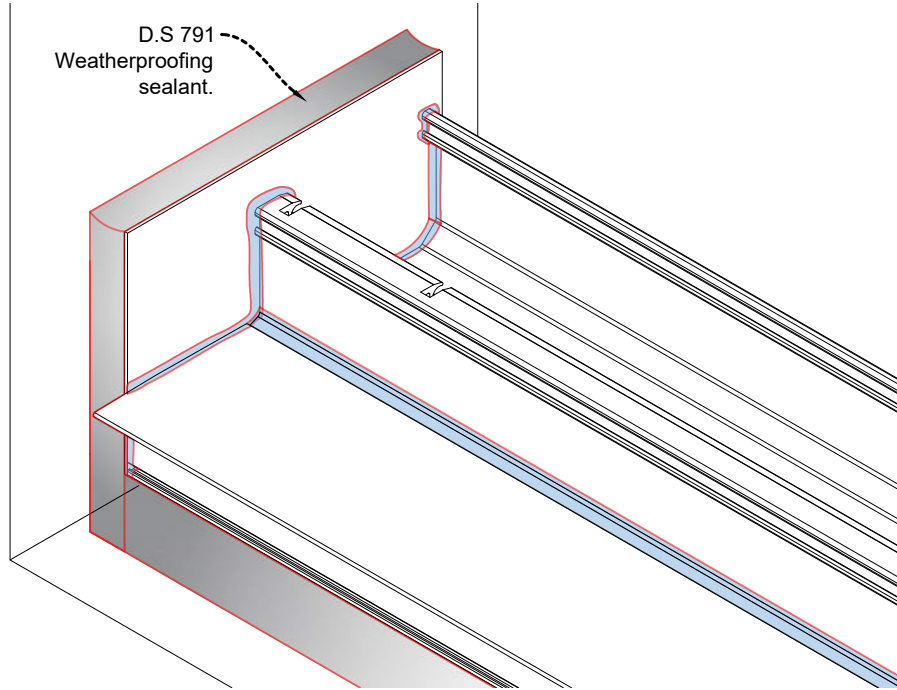
CRITICAL: Install silicone splice membrane under the sill trim, do not go up the chicken head, verify the shop drawings for silicone membrane dimensions.



4.17. For both corners IN and OUT, a section of aluminum splice must be placed on each starter section as shown in detail below. Apply a generous amount of weatherproofing sealant where aluminum splice will be placed. Apply a generous amount of sealant around aluminum splice perimeter.



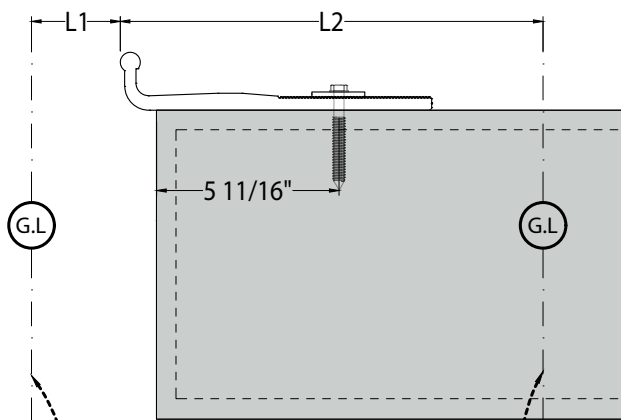
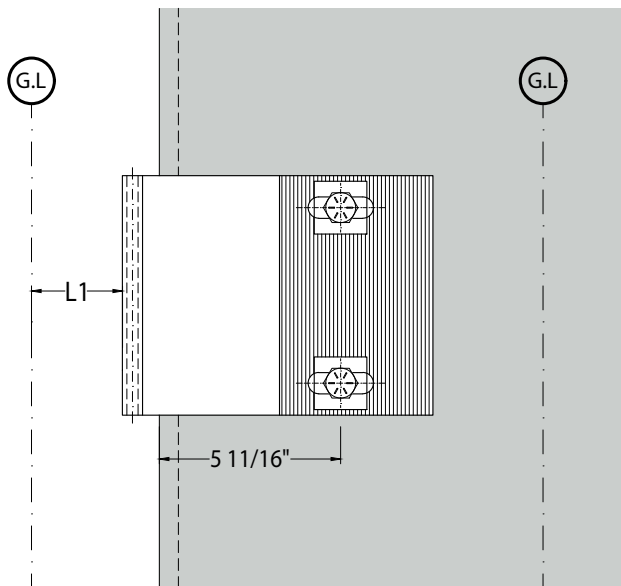
- 4.18. Insert a backer rod under starter sections and continue the seal behind the end dam as shown in detail. Apply weatherproofing sealant and tool it into joints.



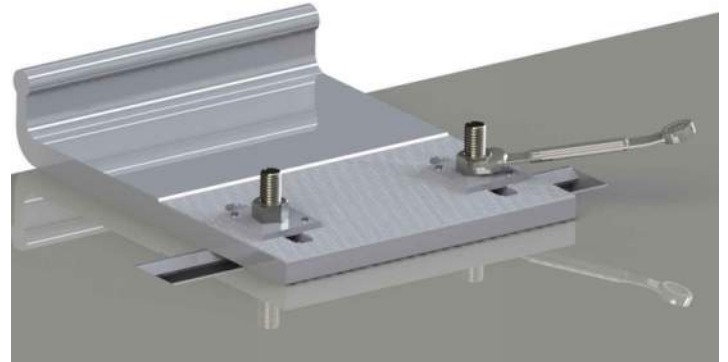
STEP 5

INSTALLATION OF ANCHORS (BRACKETS):

5.1. Install anchor brackets and channels following shop drawings specifications. Adjust the position and fix the brackets with the right tightening torque using a wrench.



Use reference lines in the floor to guarantee proper starters alignment with anchors. Use a laser to verify anchors alignment.



Verify engineering calculations for fasteners and parts requirements.

STEP 6

UNITS MANIPULATION:

Manipulation sequence:

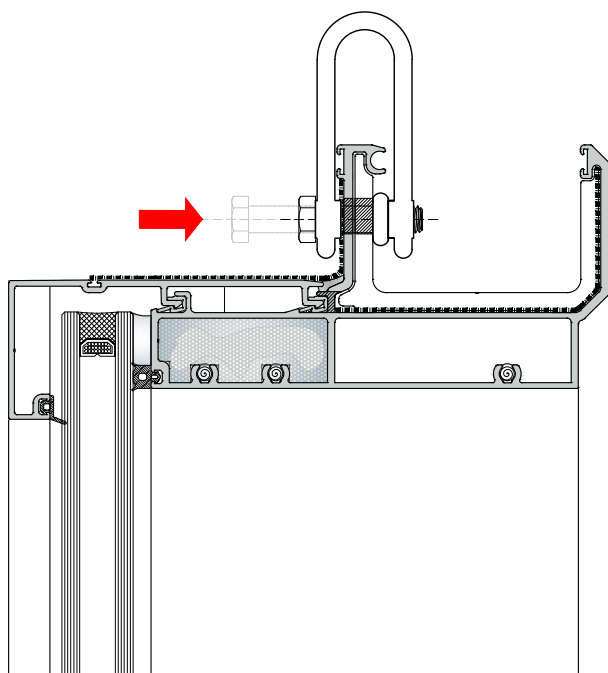
- 6.1. Units unpacking and moving.
- 6.2. Moving to the installation position using minicrane and cart.
- 6.3. Units movement using minicrane and cart.
- 6.4. Units rotation guided by the operators.



STEP 7

LIFTING SHACKLE INSTALLATION:

- 7.1. Slide the shackle into the top chicken head.
- 7.2. Match the bracket center with the top transom drainage slots.
- 7.3. Install shackle as shown in detail below.

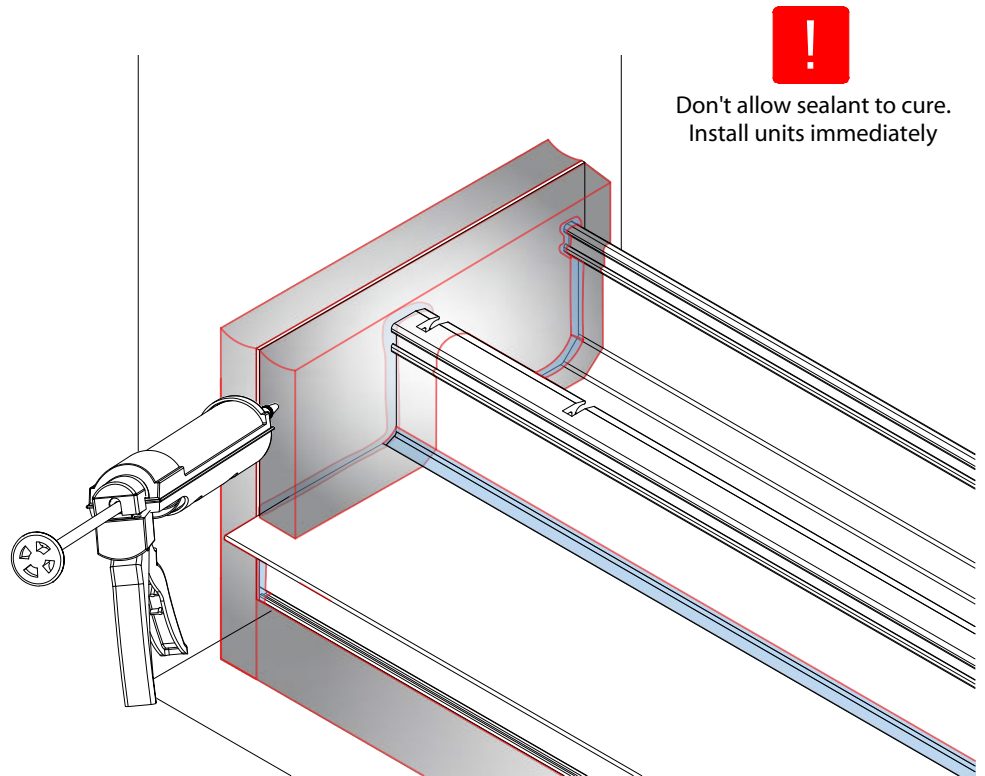
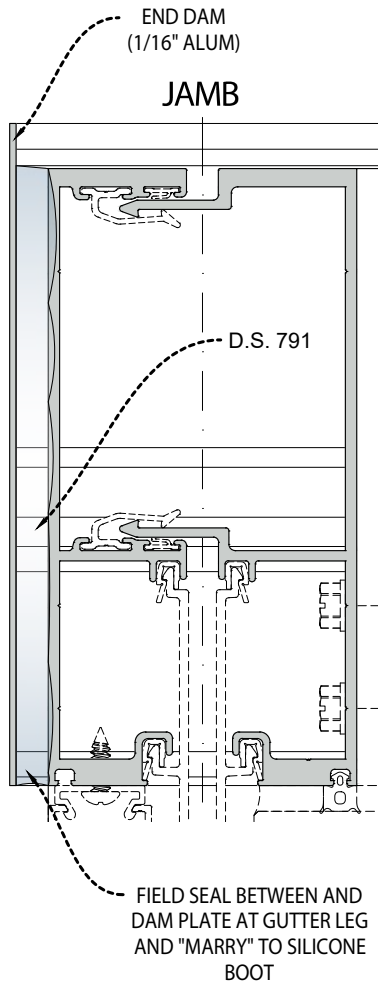


STEP 8A

STARTER PREPARATION:

OPTION A:

8.1. Apply a generous amount of sealant in front of end dams surfaces that will make contact with the jamb.



STEP 8B

STARTER PREPARATION:

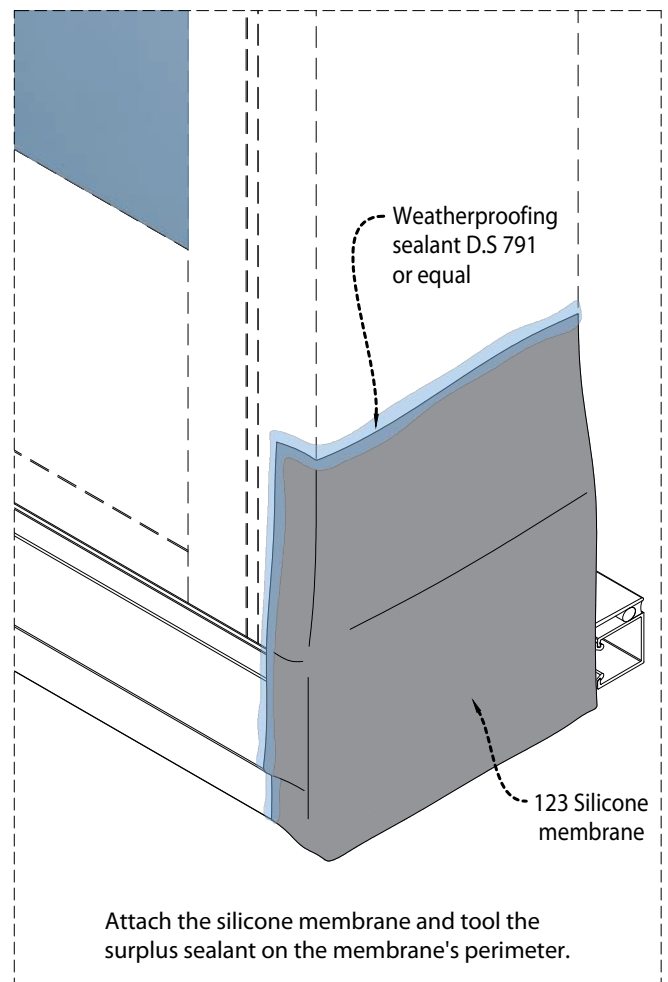
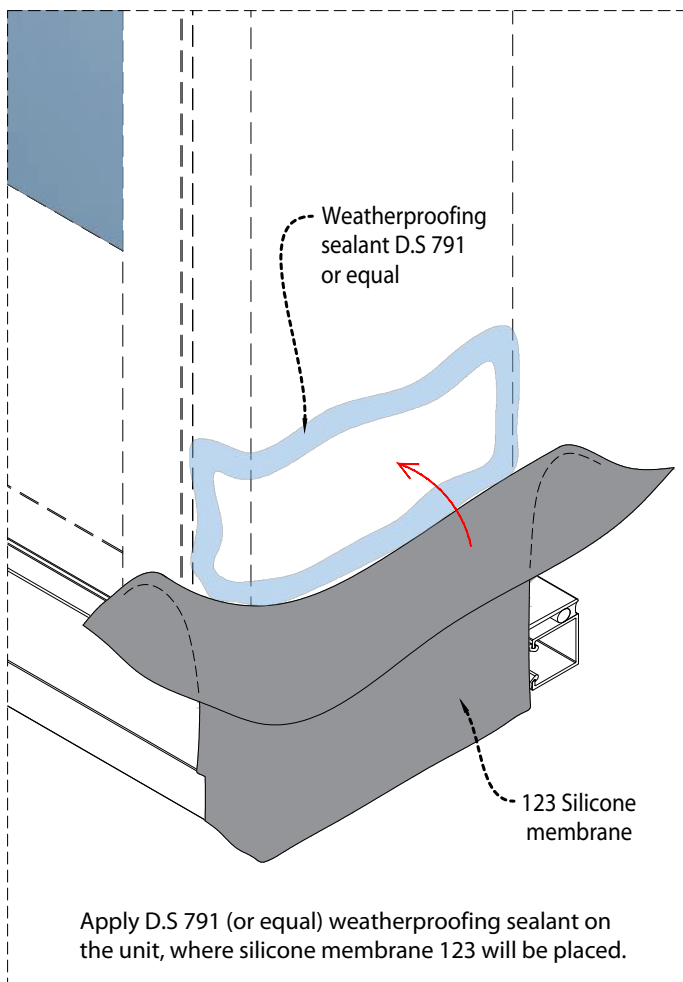
OPTION B:

8.2. Some configurations do not require the weatherproofing silicone seal between end dam plate and the units (option A); but instead use a 123 silicone membrane. This membrane must be installed before the starters (see detail 3.5, page 10).

For **option B** starter preparation, do not apply the silicone seal shown in option A, instead, apply perimeter weatherproofing sealant on the spare area of the silicone membrane previously installed, and once the units are placed, attach the membrane to the unit, as shown in details below.



This step must be completed after the units are placed, see STEP 9 for units installation, then review this step.

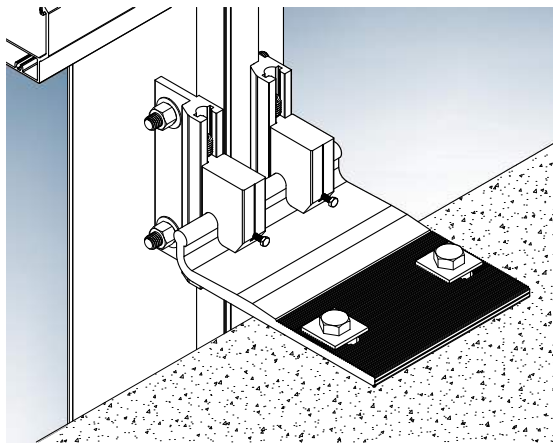


STEP 9

UNITS INSTALLATION:

- 9.1. From outside of the building install first unit hooking it to the anchor as shown in detail below.
- 9.2. Adjust hook screw to level units.

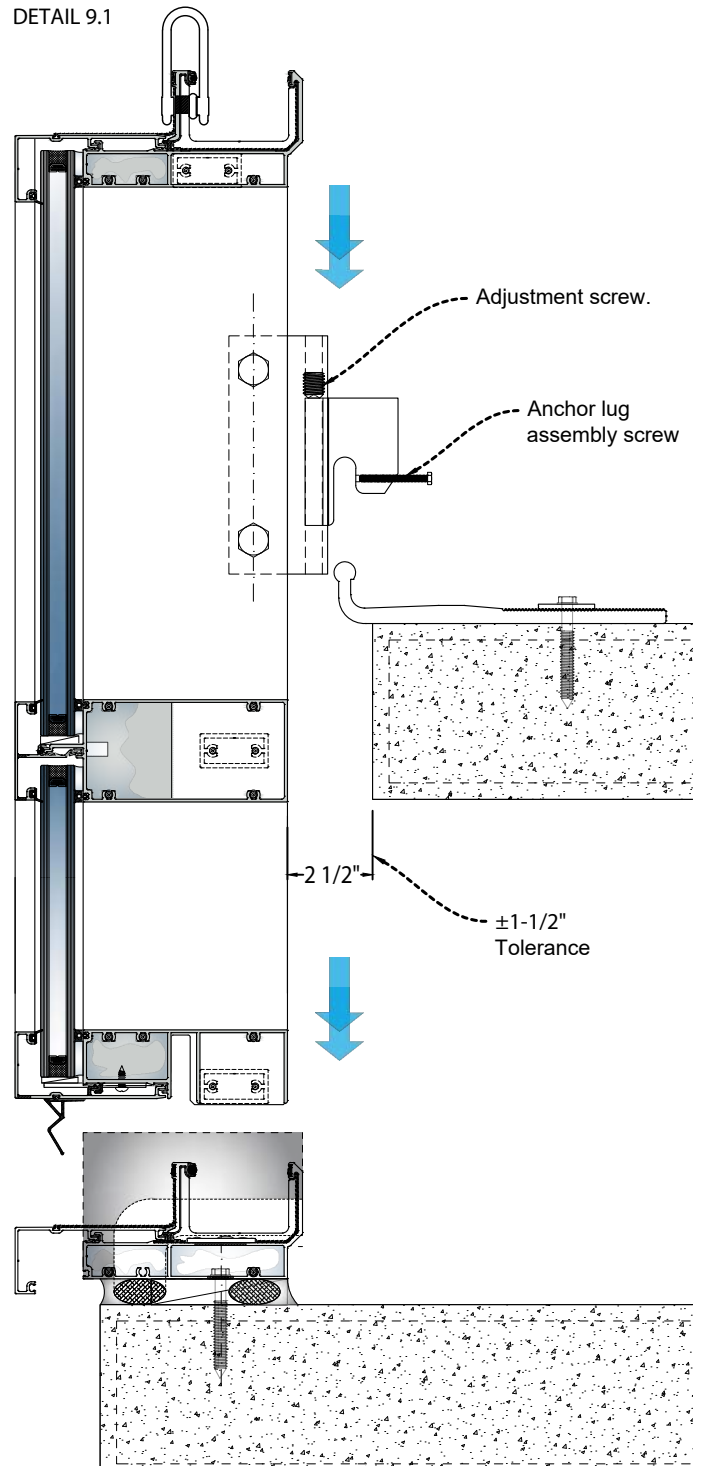
DETAIL 9.1



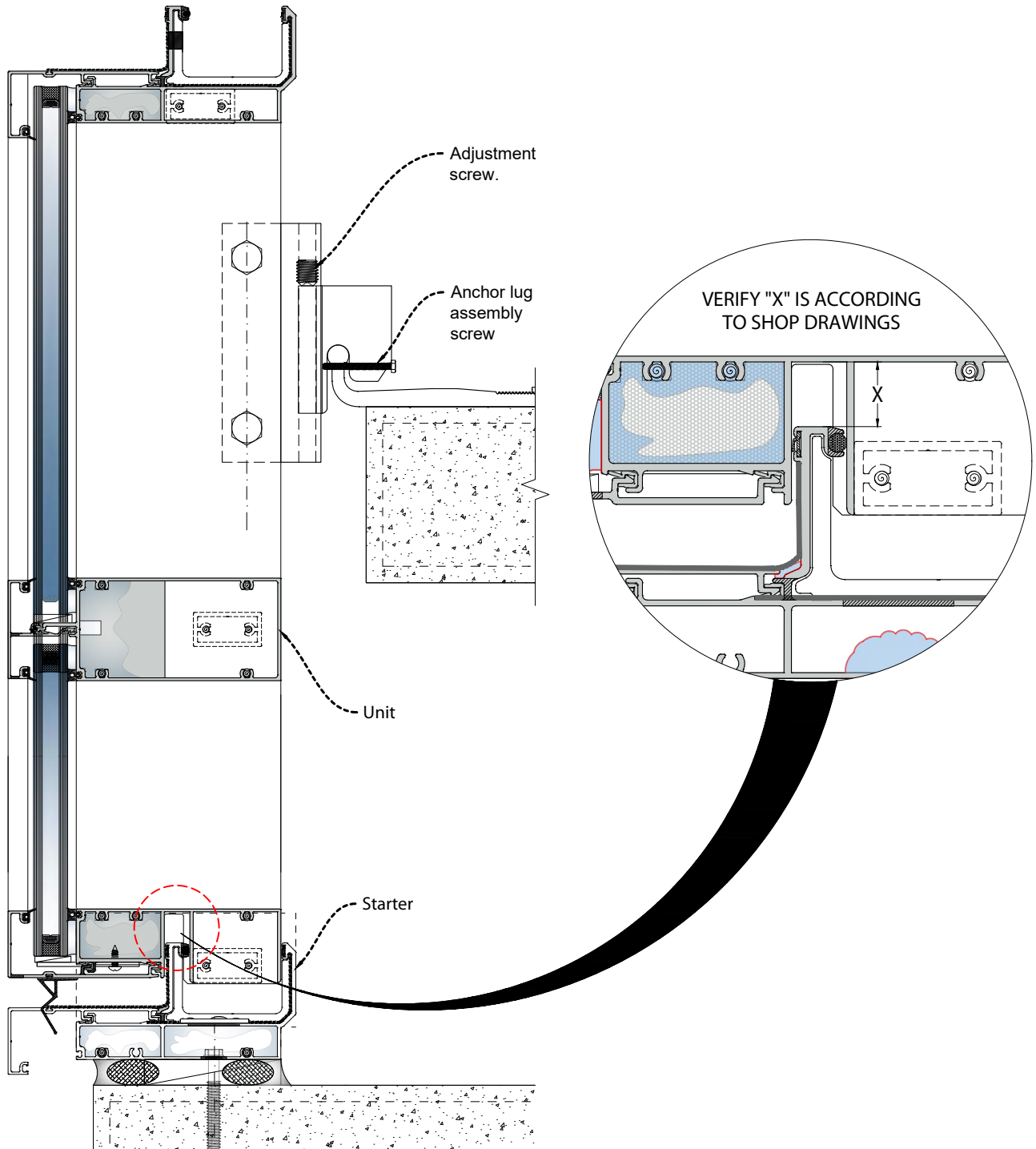
DETAIL 9.2



SIDE VIEW
DETAIL 9.1



! Once the unit is placed on the starter, verify the distance between the sill and the chicken head is according to shop drawings, as shown in details below.



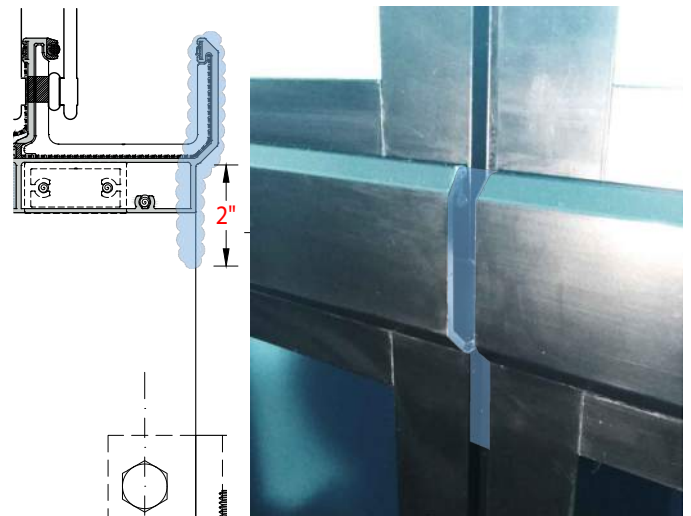
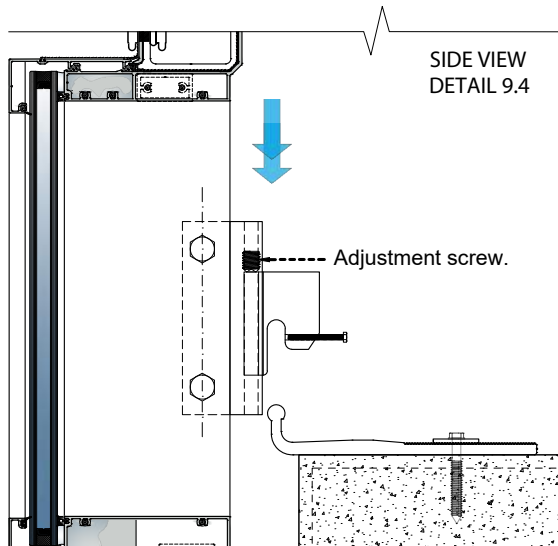
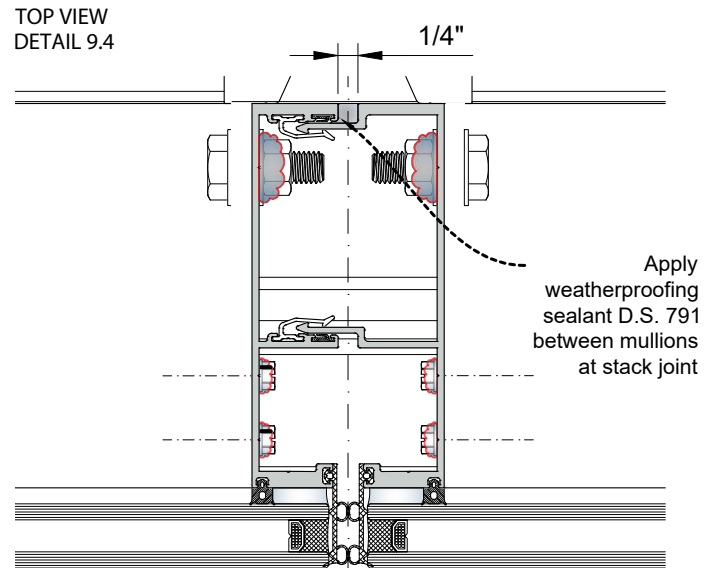
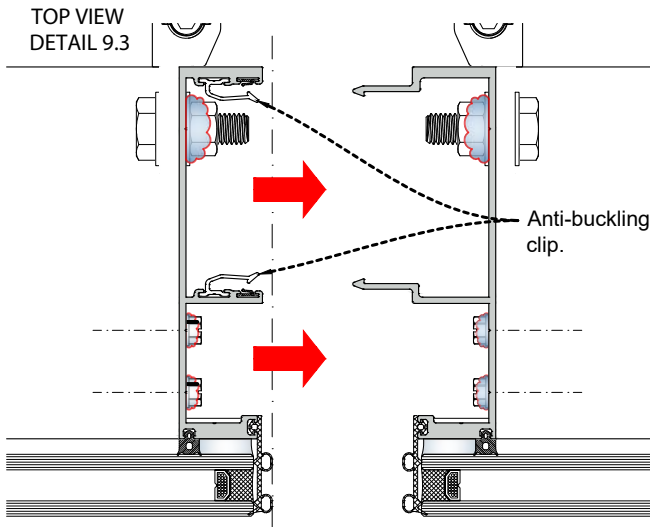
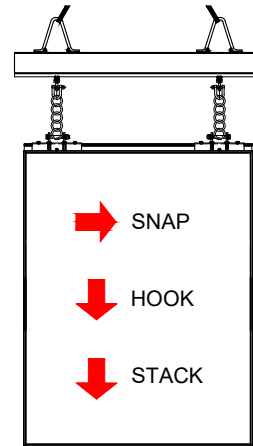
INSTALLATION MANUAL

UN8030 Curtain Wall System



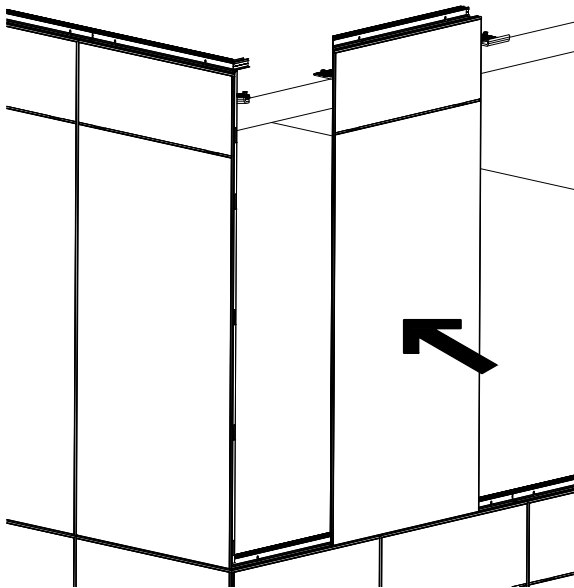
INSTALL SECOND UNIT:

- 9.3. From outside of the building install second unit snapping mullions and hooking it to the anchor as shown in detail below.
- 9.4. Adjust hook screw to level the unit. Spacing between units must be of 1/4" on the inside and 1/2" on the outside. Make sure to properly hook anti-buckling clip along verticals.
- 9.5. Seal gap behind aluminum splice. Extend seal 2" down to the mullions.

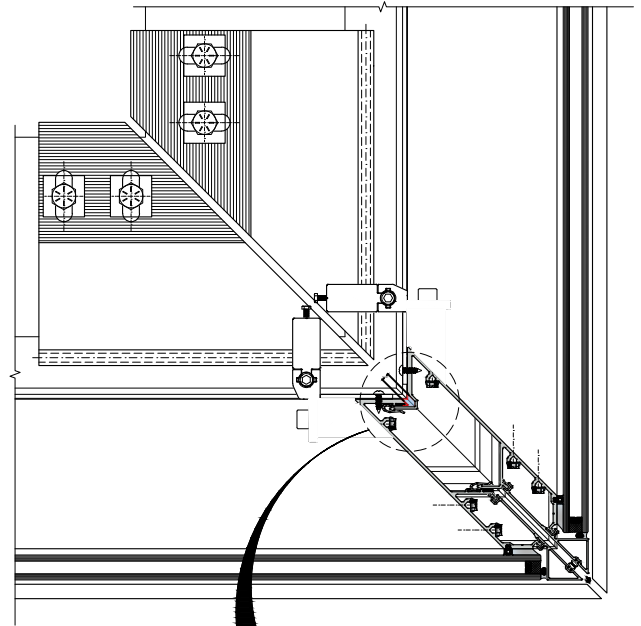


CORNER UNIT INSTALLATION:

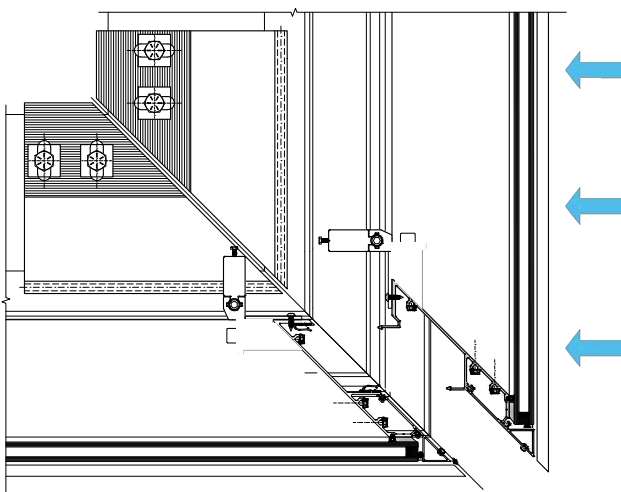
- 9.6. Install the first corner unit as a standard unit, following steps 9.1 to 9.4.
- 9.7. Once the first unit has been installed, place adjacent corner unit perpendicular to the one already installed as shown in detail 9.6 A, the space between units must be of 5/16" as shown in detail 9.6 B.
- 9.8. Seal gap between units with D.S 791 (or equal) weatherproofing sealant.



DETAIL 9.6



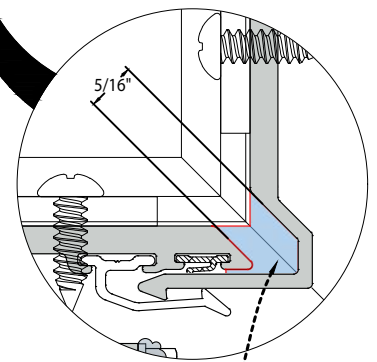
DETAIL 9.7 B



DETAIL 9.7 A

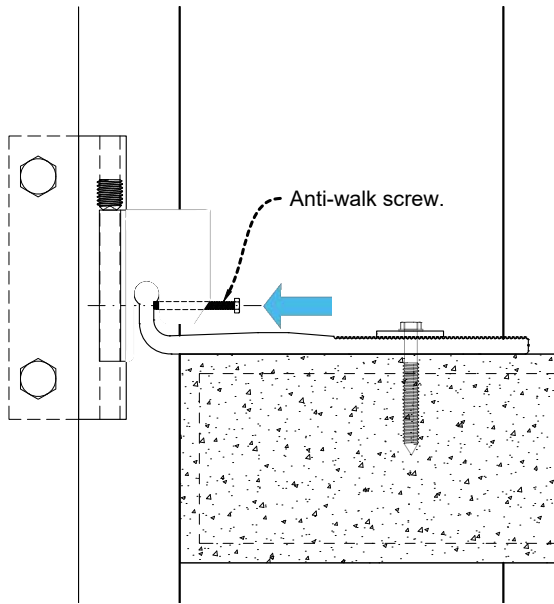


Make sure to use available crane or other equipment capable of carrying the weight of the units.

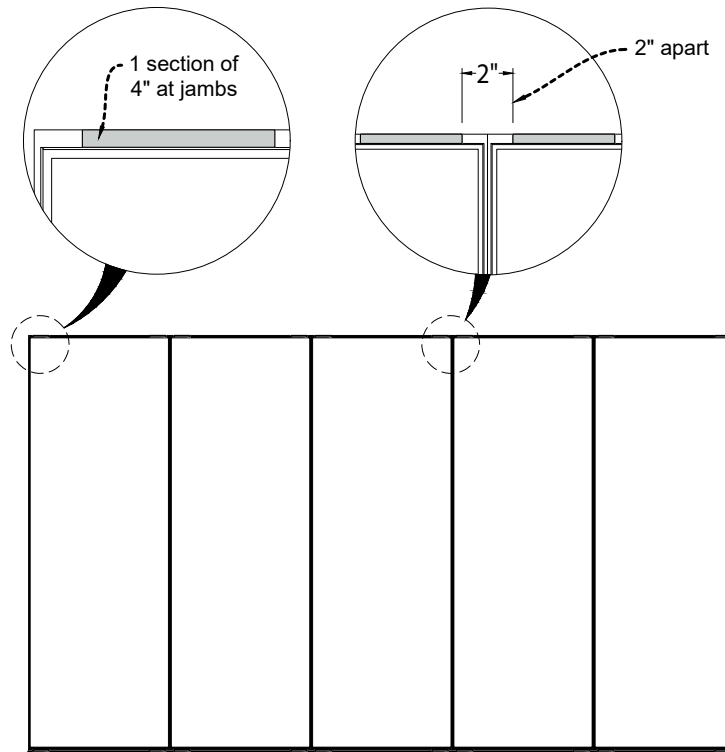


D.S 791
Weatherproofing
sealant

9.9. When a complete level of units is already leveled and adjusted install anti-walk screws to secure units in place.

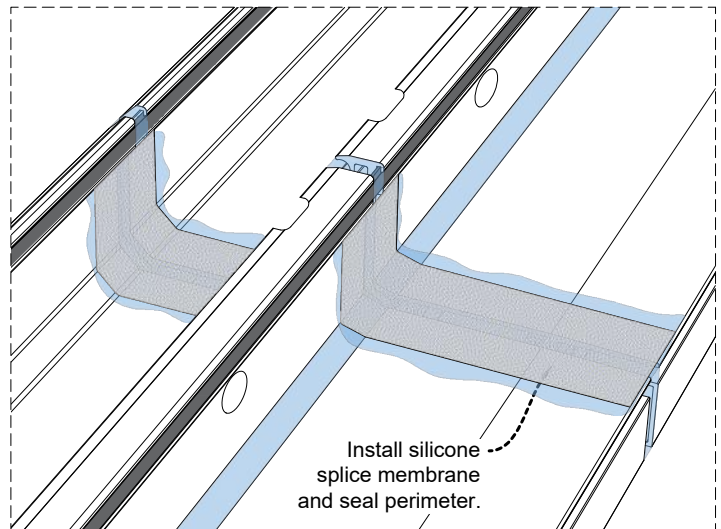
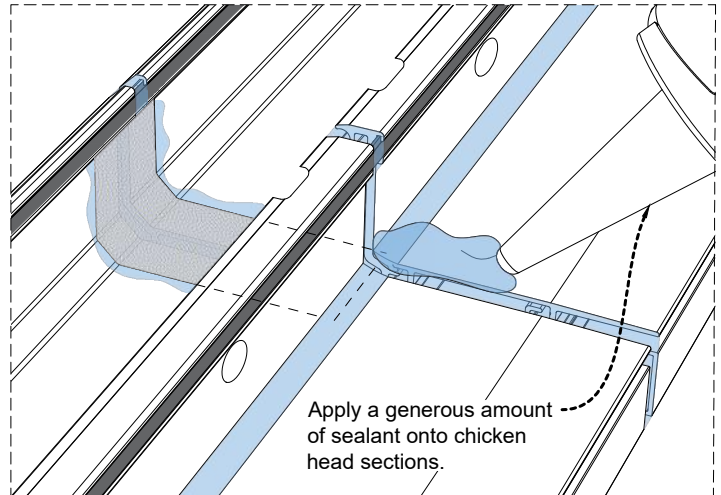
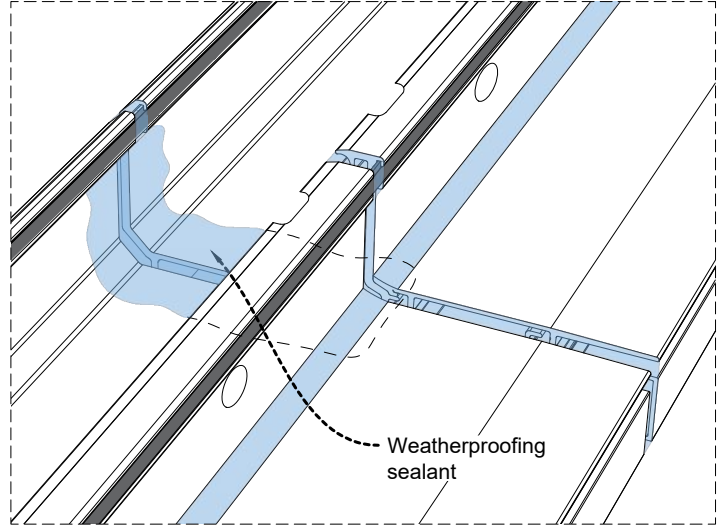


9.10. Slide aluminum splice to locate them at the jambs and mullions. Locate two sections of 4" at mullions and one 4" section at jambs following the distribution shown previously on detail 4.7 (page 13).



ALUMINUM SPLICE DISTRIBUTION FOR STACK JOINT

- 9.11. Install silicone splice membrane between units, following the same steps shown previously in details 4.9 - 4.13 (pages 14-15) insert the first silicone membrane under sill trim, do not go up the chicken head.



9.12. For configurations with corners install silicone splice membrane following steps shown previously in details 4.14 - 4.15 (page 15).



Clean units surfaces



Apply weatherproofing sealant

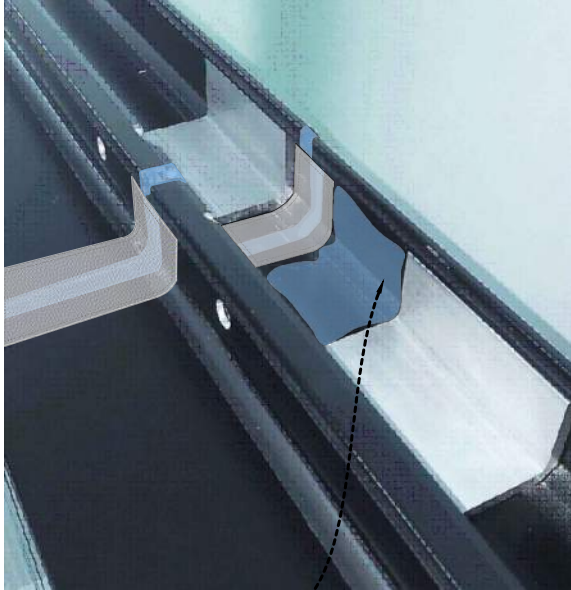


Install silicone splice membrane

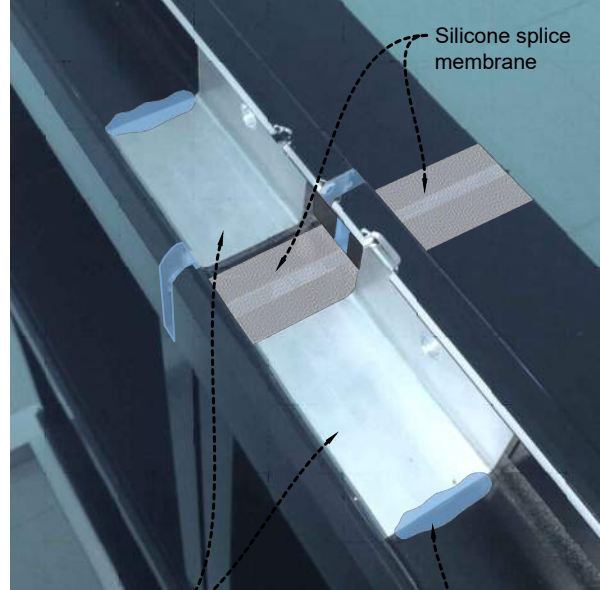


Apply weatherproofing sealant.

- 9.13. Relocate aluminum splice at units joints following the same distribution shown previously on detail 4.7 (page 13). Apply weatherproofing sealant on aluminum slides borders after placing them.



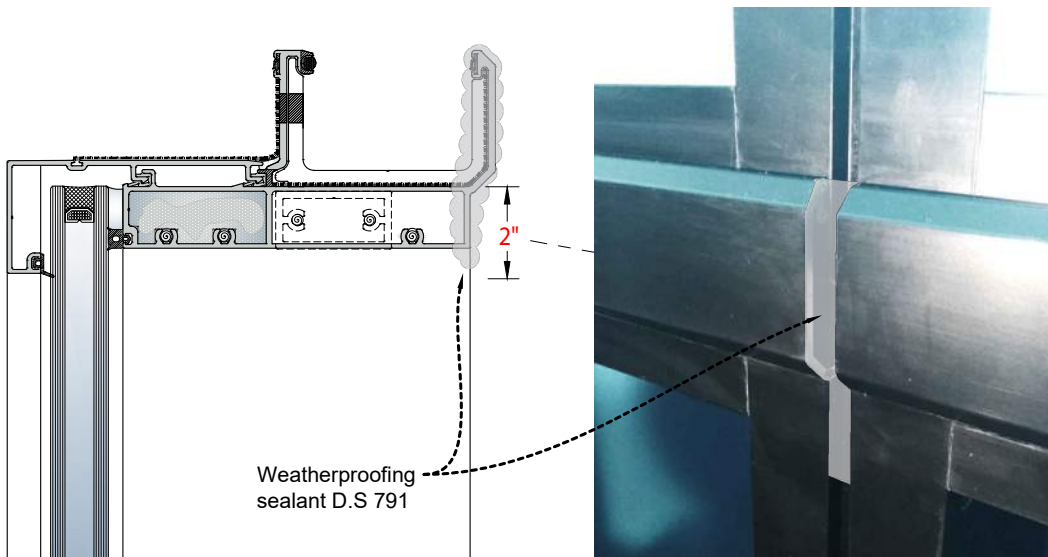
Generous amount of weatherproofing sealant D.S 791



Aluminum splice

Generous amount of weatherproofing sealant D.S 791

- 9.14. Seal gap behind aluminum splice. Extend seal 2" down to the mullions.

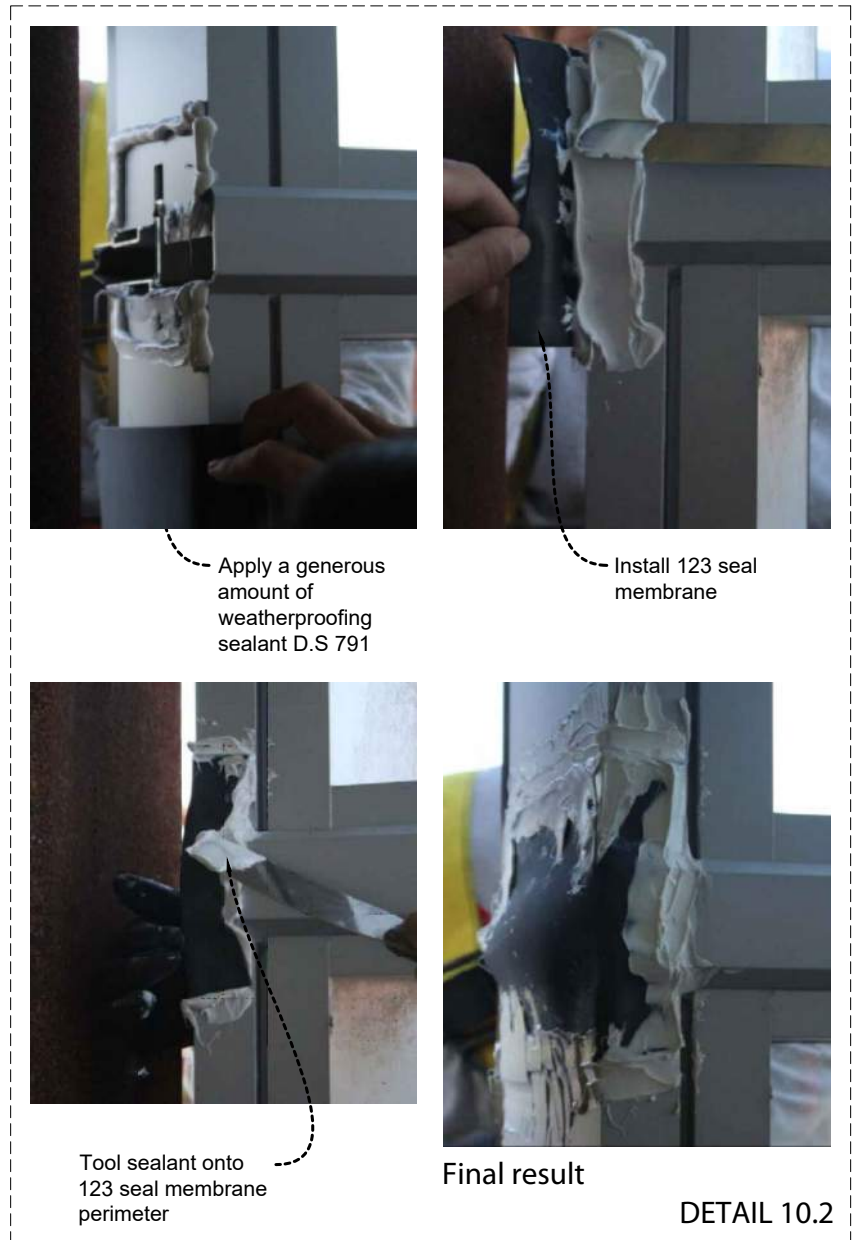
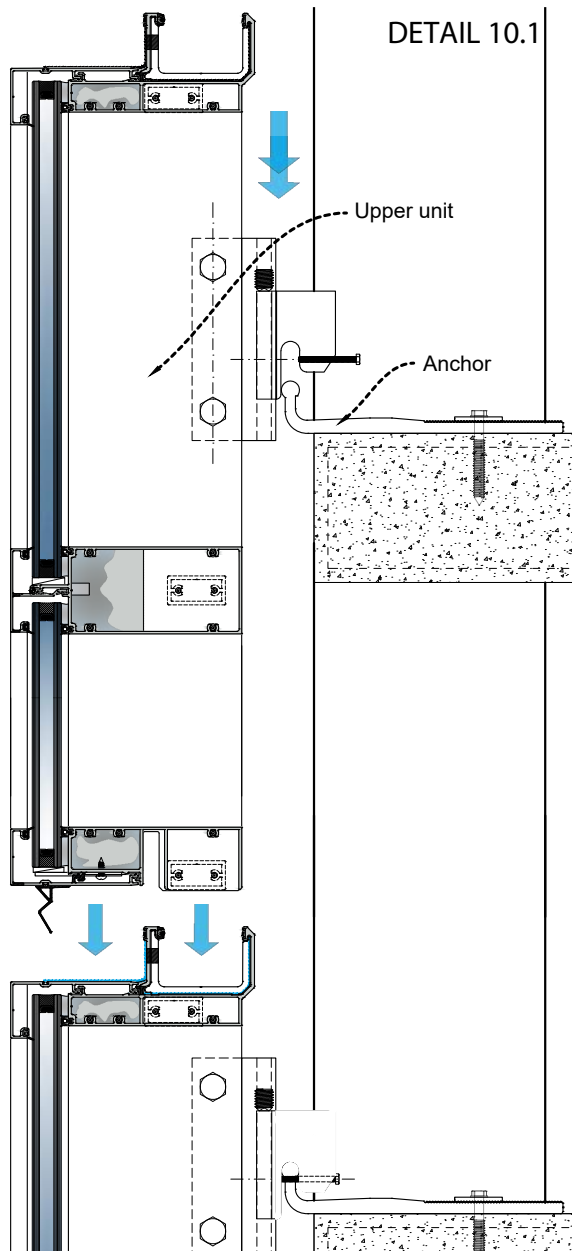


Weatherproofing sealant D.S 791

STEP 10

UPPER UNITS INSTALLATION:

- 10.1. Install upper units following steps 9.1-9.5. Use available crane or required equipment to install upper units resting the units weight on the anchors as shown in detail 10.1.
- 10.2. Install end dam 123 splice silicone membrane between upper and lower units as shown in detail 10.2.



STEP 11

PERIMETER SEAL:

- 11.1. Place the backer rod between the unit and the wall and apply external side perimeter seal per approved shop drawings, insert backer rod and apply sealant on the inside if required.

