

Table of Contents

- 1 Cover
- 2 Table of Contents
- 3 System Features
- 4 System Parts
- 5 Elevation Layouts
- 6 System Details
- 7 Corner Details

System Features

Features:

- Flex System allows you to put almost whatever you want on your building
- Flex System supports many colors, perforation patterns, and even color images

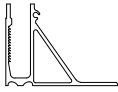
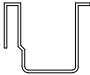
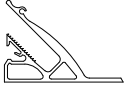
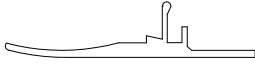
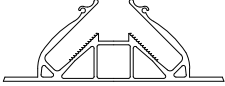

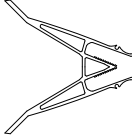
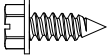

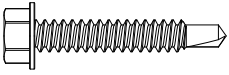

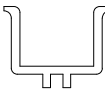
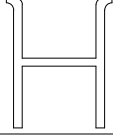
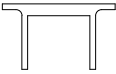
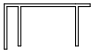
Optional Features:

- Translucent Fabrics;
- Perimeter can be Framed or Frameless;
- Snap Covers to hide fasteners;

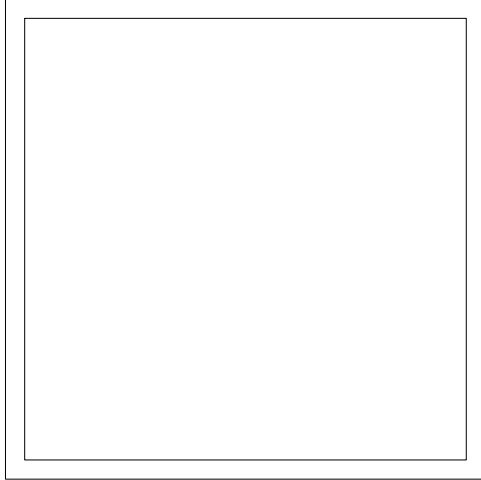
Product Applications:

- Useful for Multi-Level Parking Garages;
- Great for Parking Garages that can't be completely enclosed as they require ventilation;
- Can be mounted to drywall, concrete, steel beams, and CMU wall;

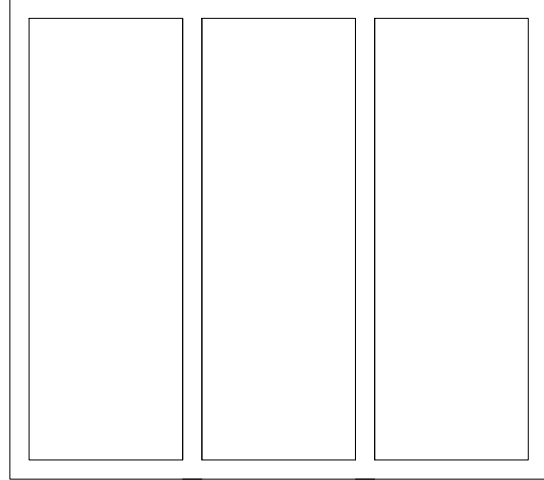
System Parts

Part #	Description	Image	Part #	Description	Image
F10001	Framed Perimeter Extrusion		F10015	Inset Perimeter Cover	
F10002	Frameless Perimeter Extrusion		F10016	Frameless Cover	
F10003	Intermediate Joint Extrusion		F10021	Fabric Clip	
F10004	Outside Corner Extrusion		F10101	Perimeter Cover Screw	
F10005	Inside Corner Extrusion		F10102	Mounting Screw	
F10006	Perimeter Support Extrusion				
F10011	U-Cover				
F10012	H-Cover				
F10013	Snap Cover				
F10014	Flush Perimeter Cover				

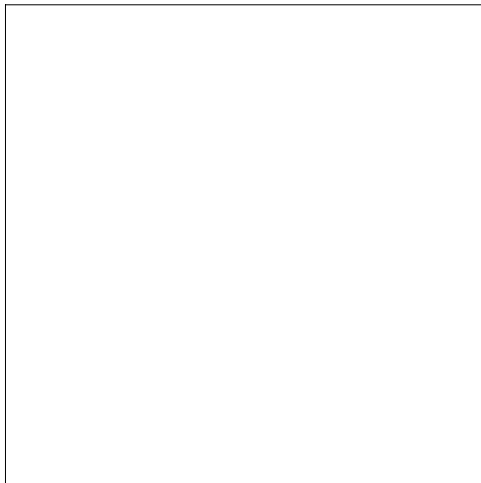
Elevation Layouts



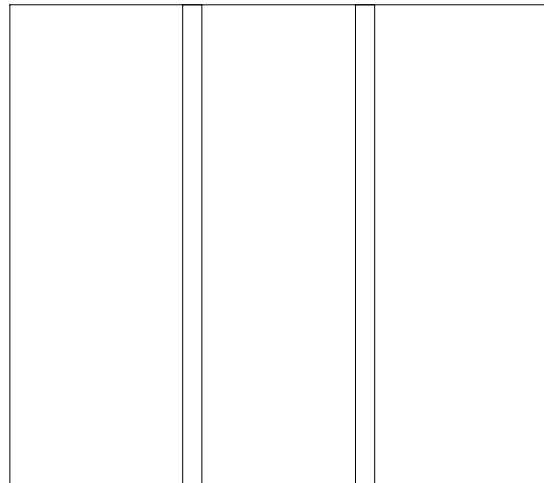
FRAMED PERIMETER



FRAMED PERIMETER WITH INTERMEDIATES

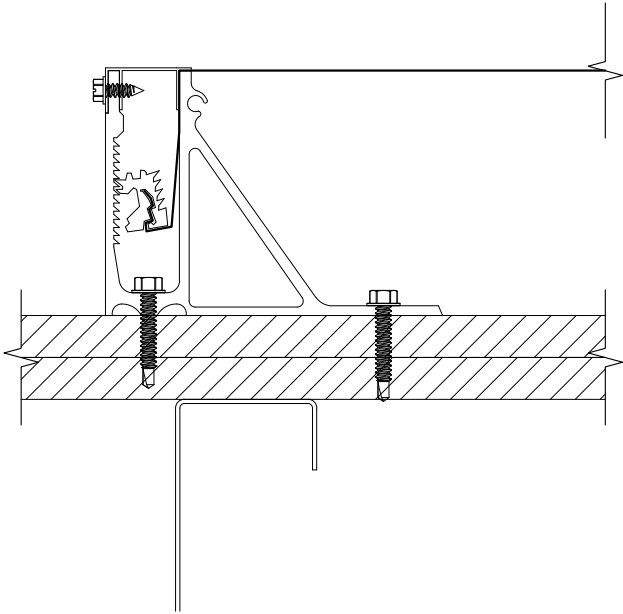


FRAMELESS PERIMETER

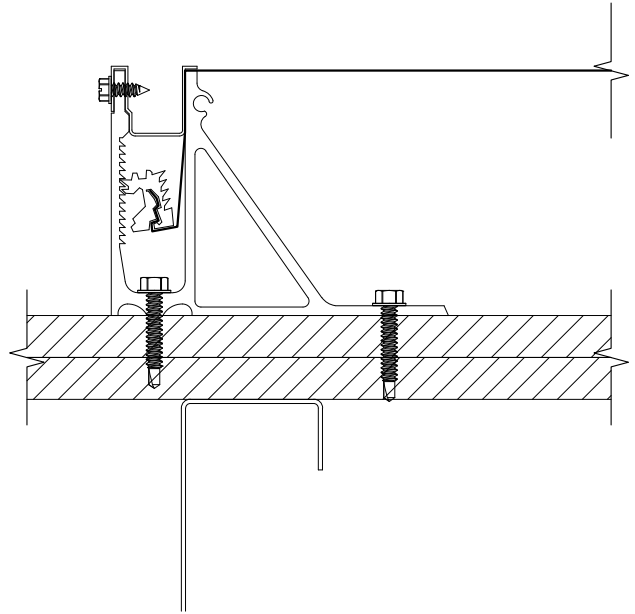


FRAMELESS PERIMETER WITH INTERMEDIATES

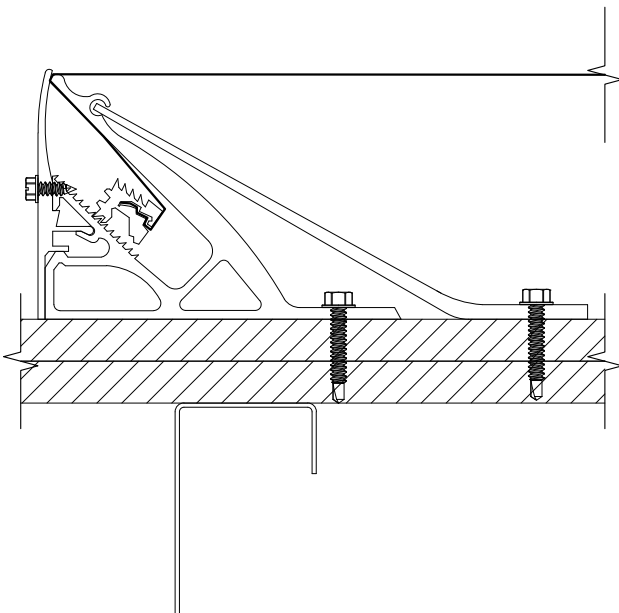
System Details



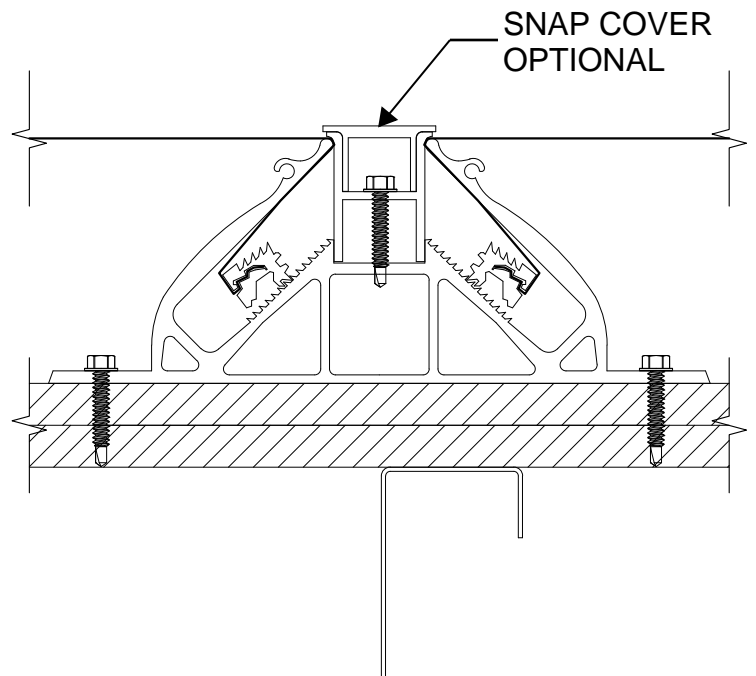
FRAMED PERIMETER (FLUSH COVER)



FRAMED PERIMETER (INSET COVER)



FRAMELESS PERIMETER



INTERMEDIATE CONDITION

Corner Details

