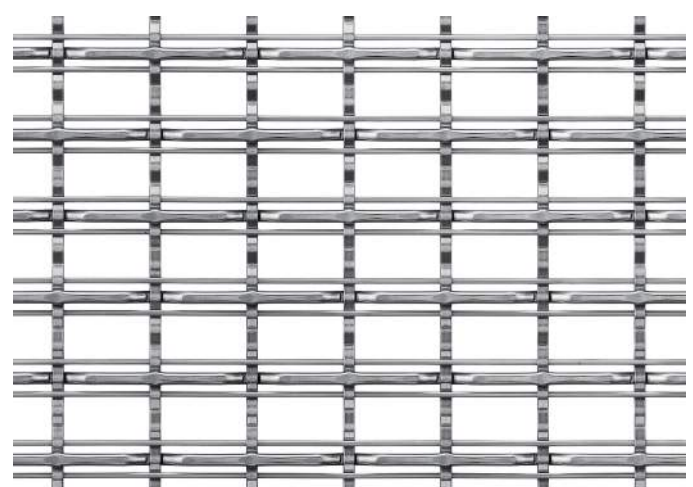
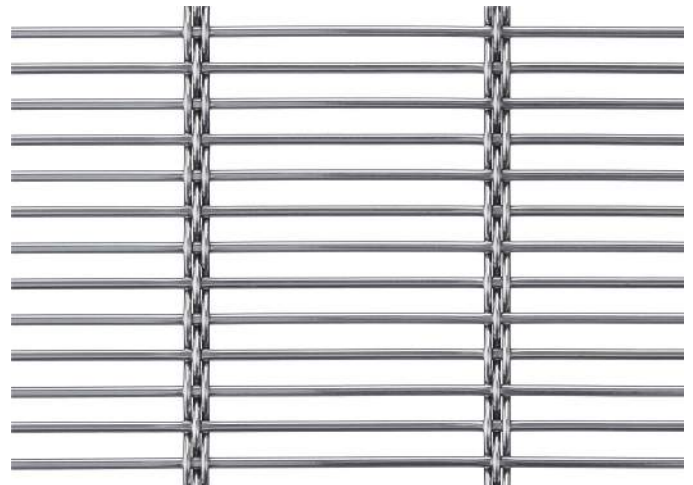
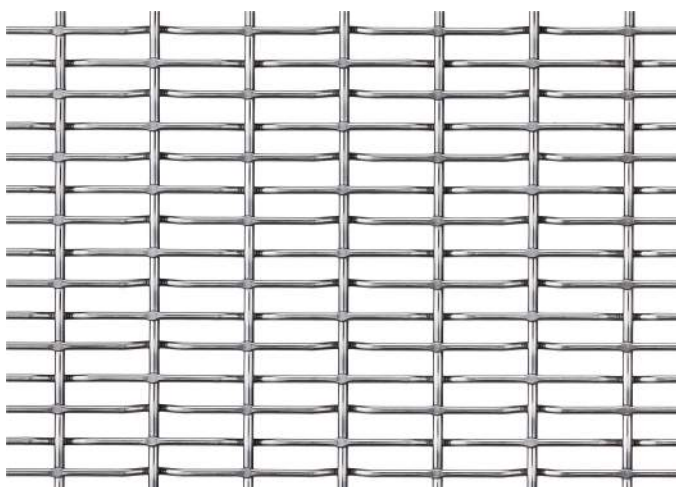
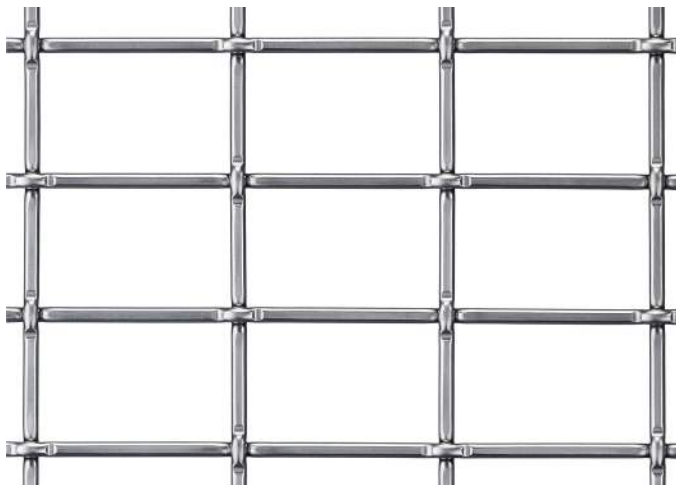
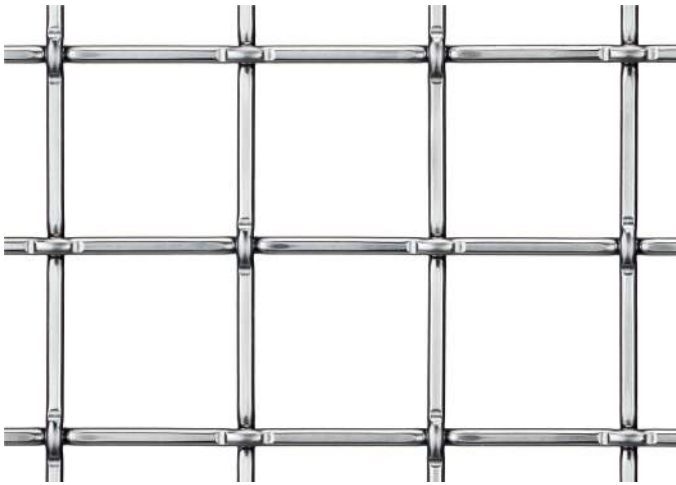


Facades USA's Crimped Wire Mesh brings a decorative touch with options for most projects. The mesh is available in standard sizes or can be cut to size.

- Dimensions:
 - Available Sizes Vary By Pattern
- Material:
 - Aluminum
 - Painted Finishes in Standard and Custom Colors to AAMA 2605 Superior Performance Coating
 - Stainless Steel (Mill Finish)
- Product Applications:
 - Parking Garages
 - Low or Mid-Rise Buildings
 - Health Care Facilities
 - Educational Facilities
 - Retail



Pattern A

Materials Available: Aluminum or Stainless Steel

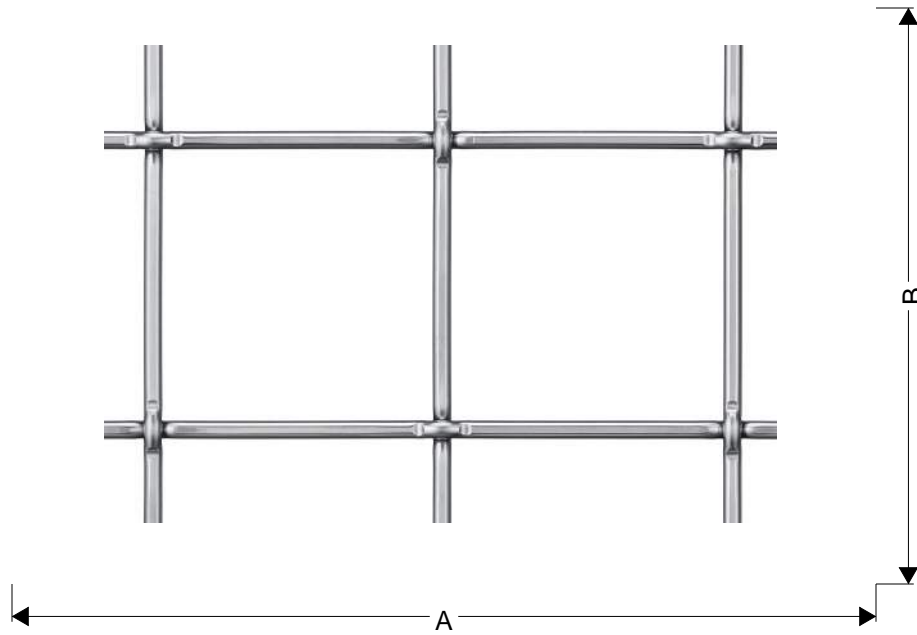
Maximum Panel Size: 20'-0" A x 8'-0" B

Aspect Ratio: 1:1

Weight: 0.83 LBS/SQFT

Overall Thickness: 0.384"

Percent Open: 87.6%



Pattern B

Materials Available: Aluminum or Stainless Steel

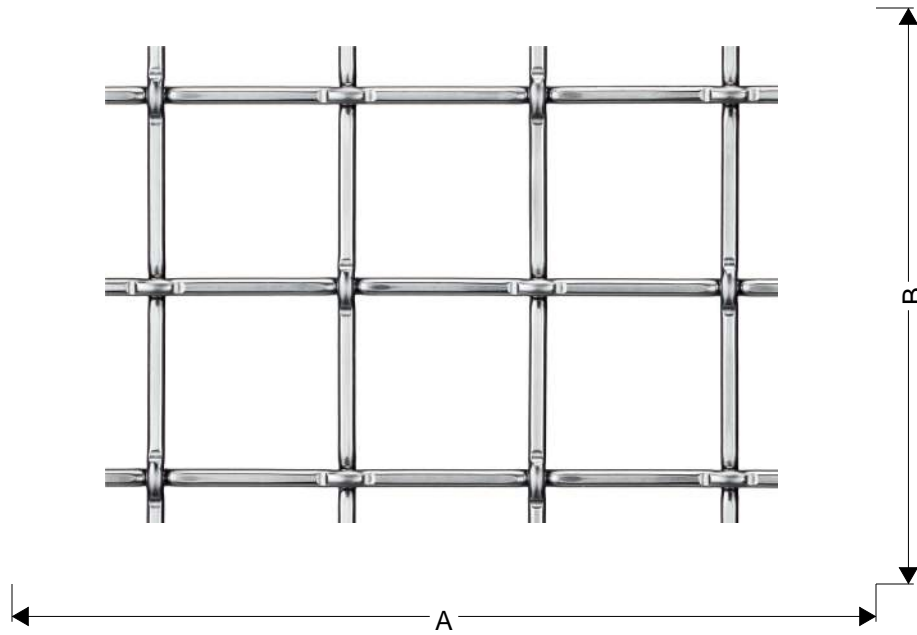
Maximum Panel Size: 20'-0" A x 8'-0" B

Aspect Ratio: 1:1

Weight: 1.24 LBS/SQFT

Overall Thickness: 0.384"

Percent Open: 81.7%



Pattern C

Materials Available: Aluminum or Stainless Steel

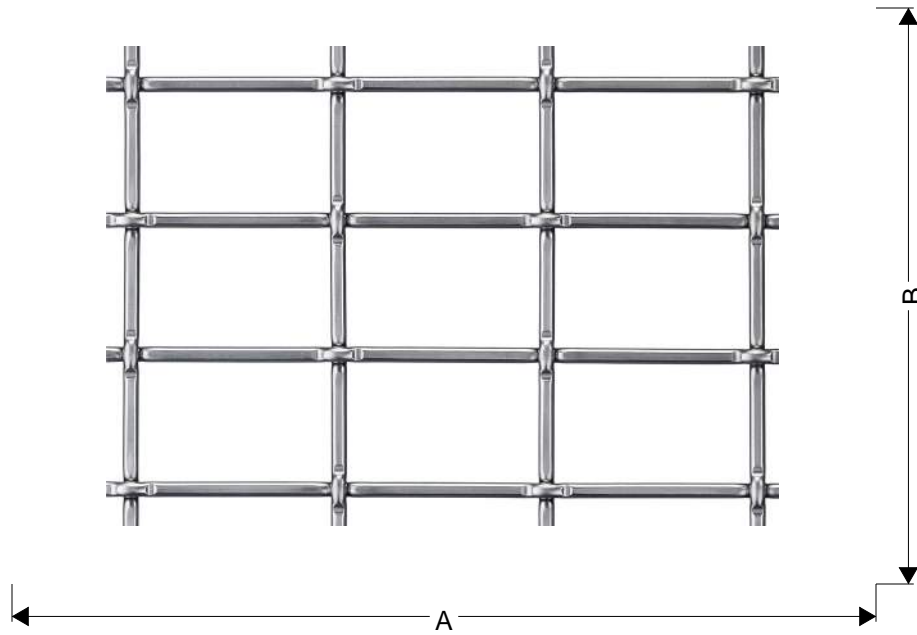
Maximum Panel Size: 20'-0" A x 8'-0" B

Aspect Ratio: 1.62:1

Weight: 1.07 LBS/SQFT

Overall Thickness: 0.324"

Percent Open: 81.3%



Pattern D

Materials Available: Stainless Steel

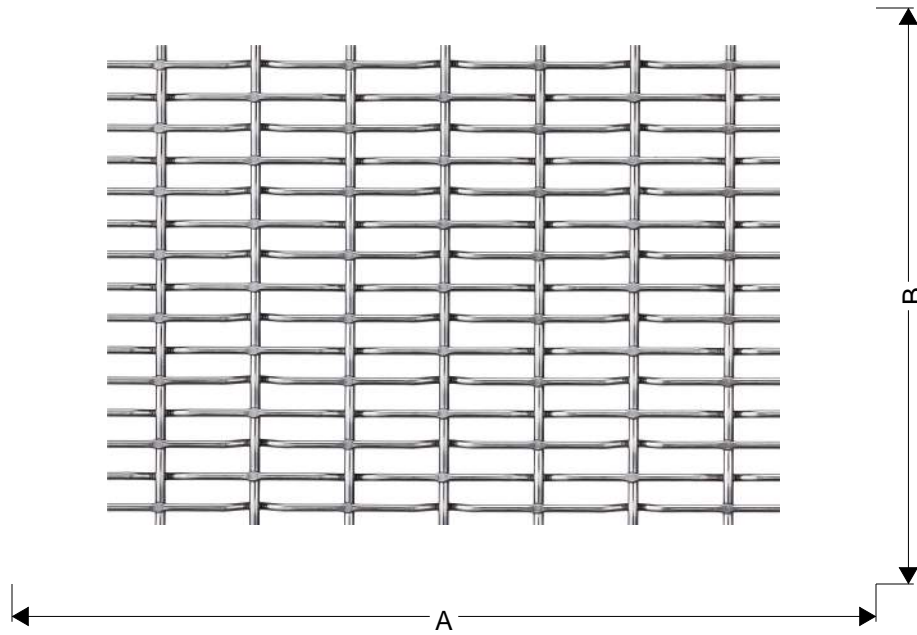
Maximum Panel Size: 20'-0" A x 8'-0" B

Aspect Ratio: 3:1

Weight: 1.34 LBS/SQFT

Overall Thickness: 0.212"

Percent Open: 64.0%



Pattern E

Materials Available: Stainless Steel

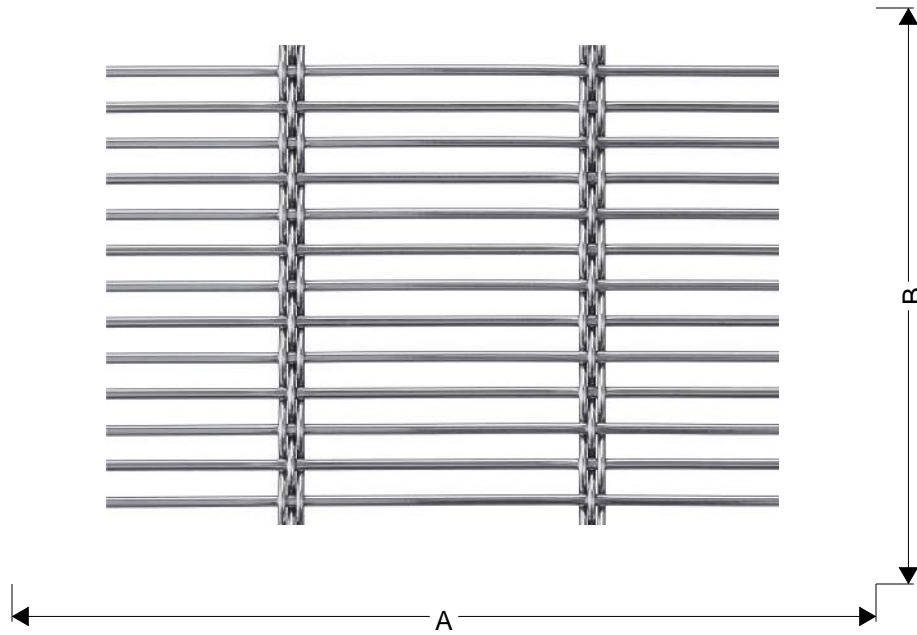
Maximum Panel Size: 20'-0" A x 8'-0" B

Aspect Ratio: 8.16:1

Weight: 1.53 LBS/SQFT

Overall Thickness: 0.304"

Percent Open: 62.9%



Pattern F

Materials Available: Stainless Steel

Maximum Panel Size: 14'-0" A x 8'-0" B

Aspect Ratio: 1.20:1

Weight: 1.33 LBS/SQFT

Overall Thickness: 0.235"

Percent Open: 60.2%

